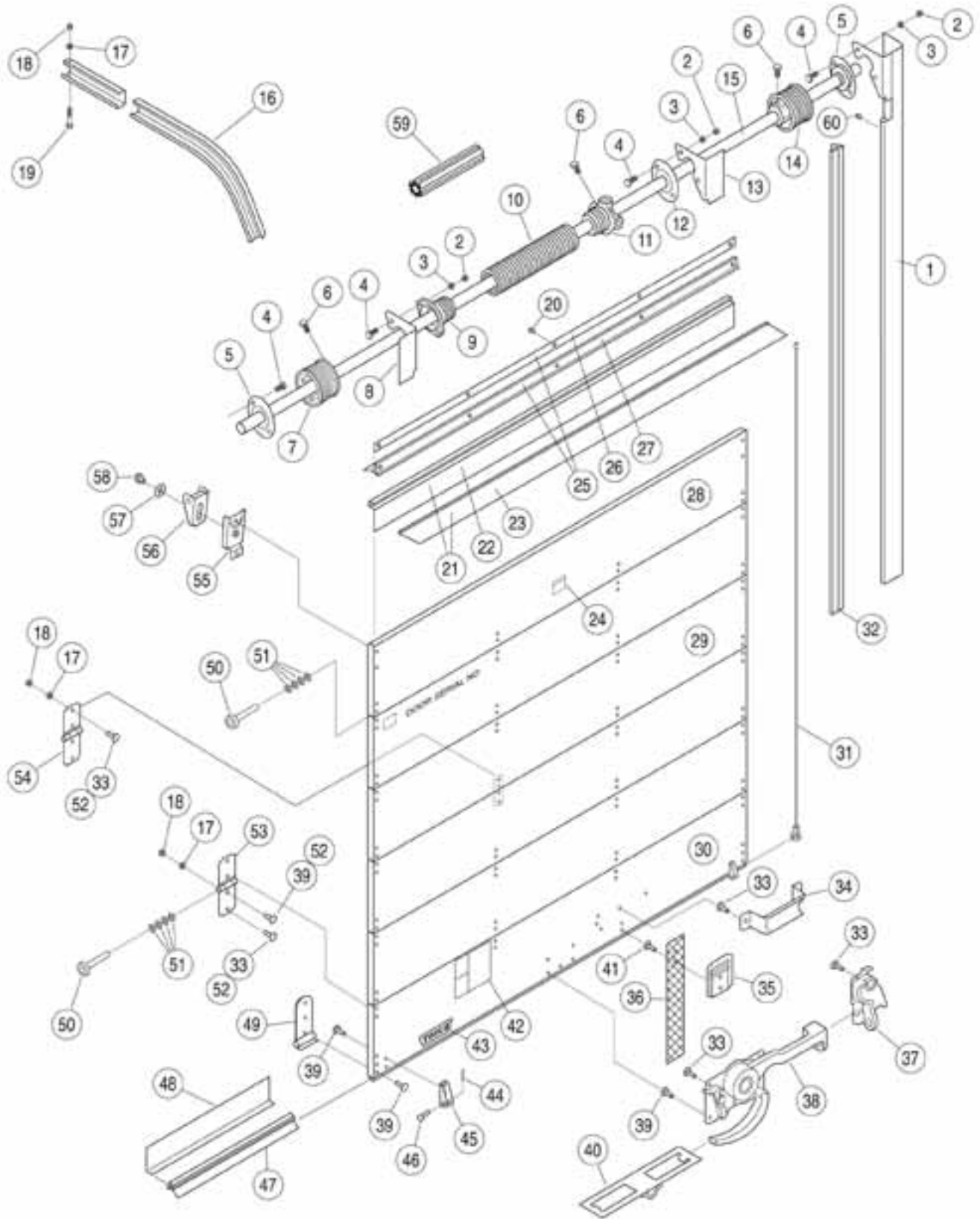


3/4" DRY FREIGHT

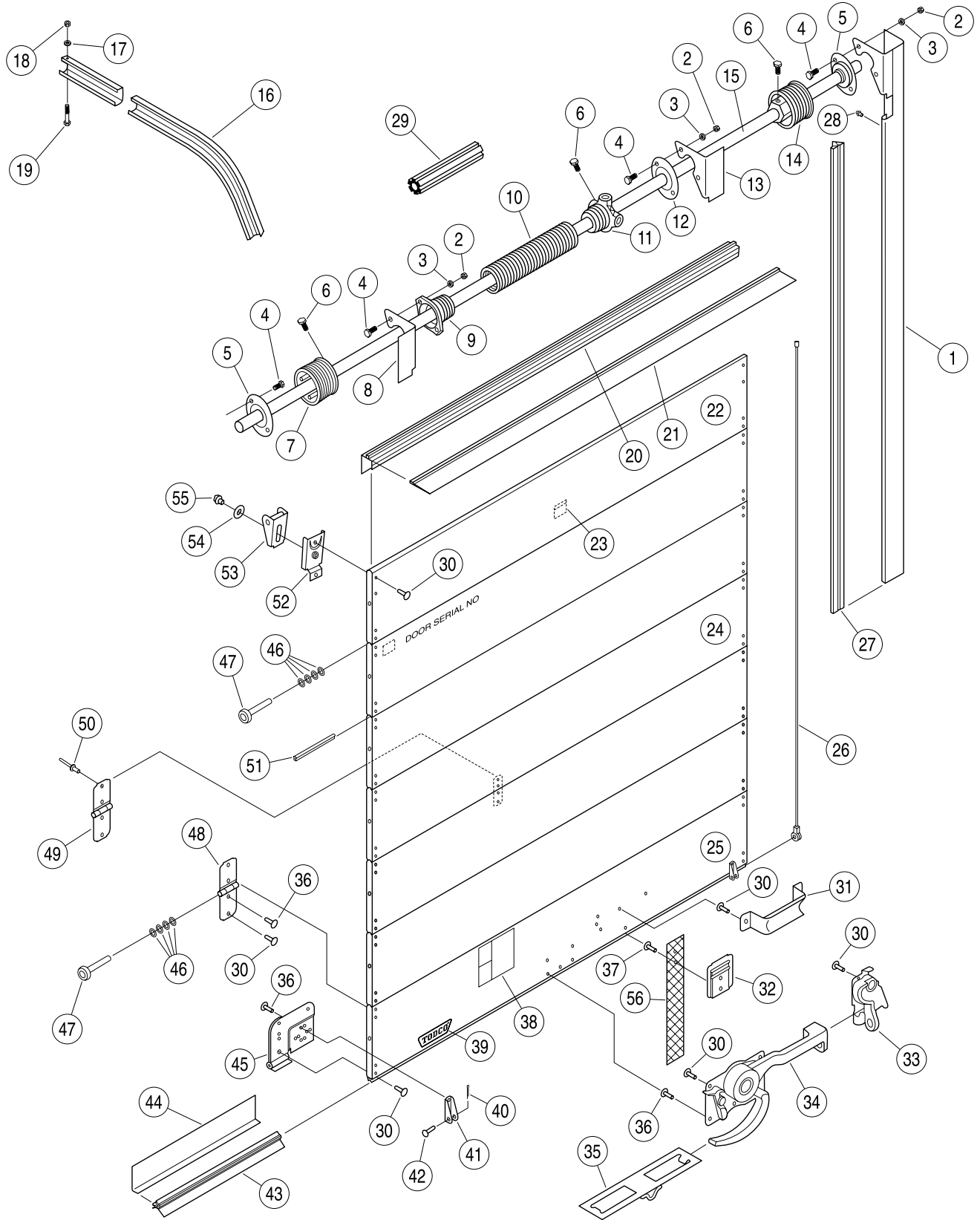


## 3/4" DRY FREIGHT

| Item | Part Number | Description  |
|------|-------------|--|
| 1    | 49014-1     | VERTICAL TRACK ASSEMBLY - L.H. (C/S)                 |
|      | 49014-2     | VERTICAL TRACK ASSEMBLY - R.H. (R/S)                 |
| 2    | 80352-518   | HEX NUT - 5/16" NC                                   |
| 3    | 80322-319   | LOCK WASHER - 5/16"                                  |
| 4    | 89186-3     | HEX HEAD BOLT - 5/16" NC X 7/8"                      |
| 5    | 51038       | BEARING ASSEMBLY                                     |
| 6    | 80300-2414  | HEX HEAD SET SCREW - 3/8" NC X 7/8"                  |
| 7    | 59129-2     | CABLE DRUM (ALUM)- R.H. (R/S) TO 105" DR. HGT.       |
|      | 59157-4     | CABLE DRUM (ALUM)- R.H. (R/S) 105" TO 120" DR. HGT.  |
| 8    | 51036-2     | SPRING ANCHOR BRACKET                                |
| 9    | 51043       | SPRING ANCHOR PLUG 1-3/4" I.D. SPRING                |
|      | 59024       | SPRING ANCHOR PLUG 2-1/2" I.D. SPRING                |
| 10   | 51042       | SPRING - 1-3/4" I.D.                                 |
|      | 59031       | SPRING - 2-1/2" I.D.                                 |
| 11   | 59158       | SPRING WINDING PLUG 1-3/4" I.D. SPRING               |
|      | 59159       | SPRING WINDING PLUG 2-1/2" I.D. SPRING               |
| 12   | 59083       | BEARING ASSEMBLY - SUPPORT BRACKET                   |
| 13   | 51036-1     | SUPPORT BRACKET - L.H. (C/S)                         |
| 14   | 59129-1     | CABLE DRUM - (ALUM) L.H. (C/S) TO 105" DOOR HGT.     |
|      | 59157-3     | CABLE DRUM - (ALUM) L.H. (C/S) 105" TO 120" DR. HGT. |
| 15   | 59290       | COUNTERBALANCE SHAFT                                 |
| 16   | 49702-1     | HORIZONTAL TRACK - L.H. (C/S)                        |
|      | 49702-2     | HORIZONTAL TRACK - R.H. (R/S)                        |
| 17   | 80322-255   | LOCK WASHER - 1/4" NC                                |
| 18   | 80352-420   | HEX NUT - 1/4" NC                                    |
| 19   | 80105-414   | HEX HEAD BOLT - 1/4" NC X 1-3/4"                     |
| 20   | 89100-2     | DRIVE RIVET 3/16" DIA. X 15/32" LG.                  |
| 21   | 70001       | HEAD SEAL ASSEMBLY (PANEL MOUNTED)                   |
| 22   | 69790       | RETAINER - HEAD SEAL (PANEL MOUNTED)                 |
| 23   | 69718       | HEAD SEAL (PANEL MOUNTED)                            |
| 24   | 70319       | WARNING STICKER - COUNTERBALANCE                     |
| 25   | 60770       | HEAD SEAL ASSEMBLY (HEADER MOUNTED)                  |
| 26   | 61403       | RETAINER - HEAD SEAL (HEADER MOUNTED)                |
| 27   | 61402       | HEAD SEAL (HEADER MOUNTED)                           |
| 28   | 29013       | TOP PANEL - TOUGHShell NO HARDWARE                   |
|      | 29017       | TOP PANEL - ALUMINUM COVERED NO HARDWARE             |
| 29   | 29014       | INTERMEDIATE PANEL - TOUGHShell COATED - NO HARDWARE |
|      | 29018       | INTERMEDIATE PANEL - ALUMINUM COVERED - NO HARDWARE  |
| 30   | 29016       | BOTTOM PANEL - TOUGHShell COATED                     |
|      | 29020       | BOTTOM PANEL - ALUMINUM COVERED                      |

| Item | Part Number | Description  |
|------|-------------|--|
| 31   | 51044       | CABLE ASSEMBLY - 110" LG. - TO 100" DOOR HEIGHT    |
|      | 59004       | CABLE ASSEMBLY - 115" LG. 100" TO 105" DOOR HEIGHT |
|      | 59003       | CABLE ASSEMBLY - 130" LG. 105" TO 120" DOOR HEIGHT |
| 32   | 61390       | SIDE SEAL - PAIR                                   |
| 33   | 89210-0032  | RIVET - 1" LG.                                     |
| 34   | 61401       | LIFT HANDLE  |
| 35   | 69832       | PULL STRAP RETAINER                                |
| 36   | 80844-1408  | PULL STRAP - 30" STRAIGHT STANDARD (44" LG.)       |
| 37   | 69572       | KEEPER ASSEMBLY                                    |
| 38   | 69571       | MAXIMUM SECURITY LOCK ASSEMBLY - STANDARD          |
|      | 70223       | MAXIMUM SECURITY LOCK ASSEMBLY - OFFSET LEVER ARM  |
| 39   | 89210-0036  | RIVET - 1-1/8" LG.                                 |
| 40   | 70093       | CATCH BOX  |
| 41   | 89210-0044  | RIVET - 1-3/8" LG.                                 |
| 42   | 70318       | WARNING STICKER - SAFETY NOTICE                    |
| 43   | 69793       | NAME PLATE   |
| 44   | 80401-316   | COTTER PIN - 3/32" DIA.                            |
| 45   | 61204       | CABLE ANCHOR BRACKET                               |
| 46   | 61026       | CABLE ANCHOR PIN                                   |
| 47   | 80840       | BOTTOM SEAL  |
| 48   | 61191       | BOTTOM ANGLE                                       |
| 49   | 61352       | BOTTOM FIXTURE                                     |
| 50   | 61174       | ROLLER   |
| 51   | 80020       | SPACER WASHER-ROLLER                               |
| 52   | 80015-0040  | STEP BOLT - 1/4" NC X 1-1/4"                       |
| 53   | 69035       | END HINGE  |
| 54   | 61196       | CENTER HINGE                                       |
| 55   | 69432       | BASE - ADJUSTABLE TOP FIXTURE                      |
| 56   | 69431       | SLIDE - ADJUSTABLE TOP FIXTURE                     |
| 57   | 80302-2436  | FLATWASHER - 3/8"                                  |
| 58   | 89049       | E-LOK BOLT - 3/8" NC                               |
| 59   | 59092       | FILLER PLUG - 2-1/2" I.D. SPRING                   |
| 60   | 89100-1     | DRIVE RIVET - 3/16" DIA. X 9/32" LG.               |

## 1 1/8" POLARGUARD

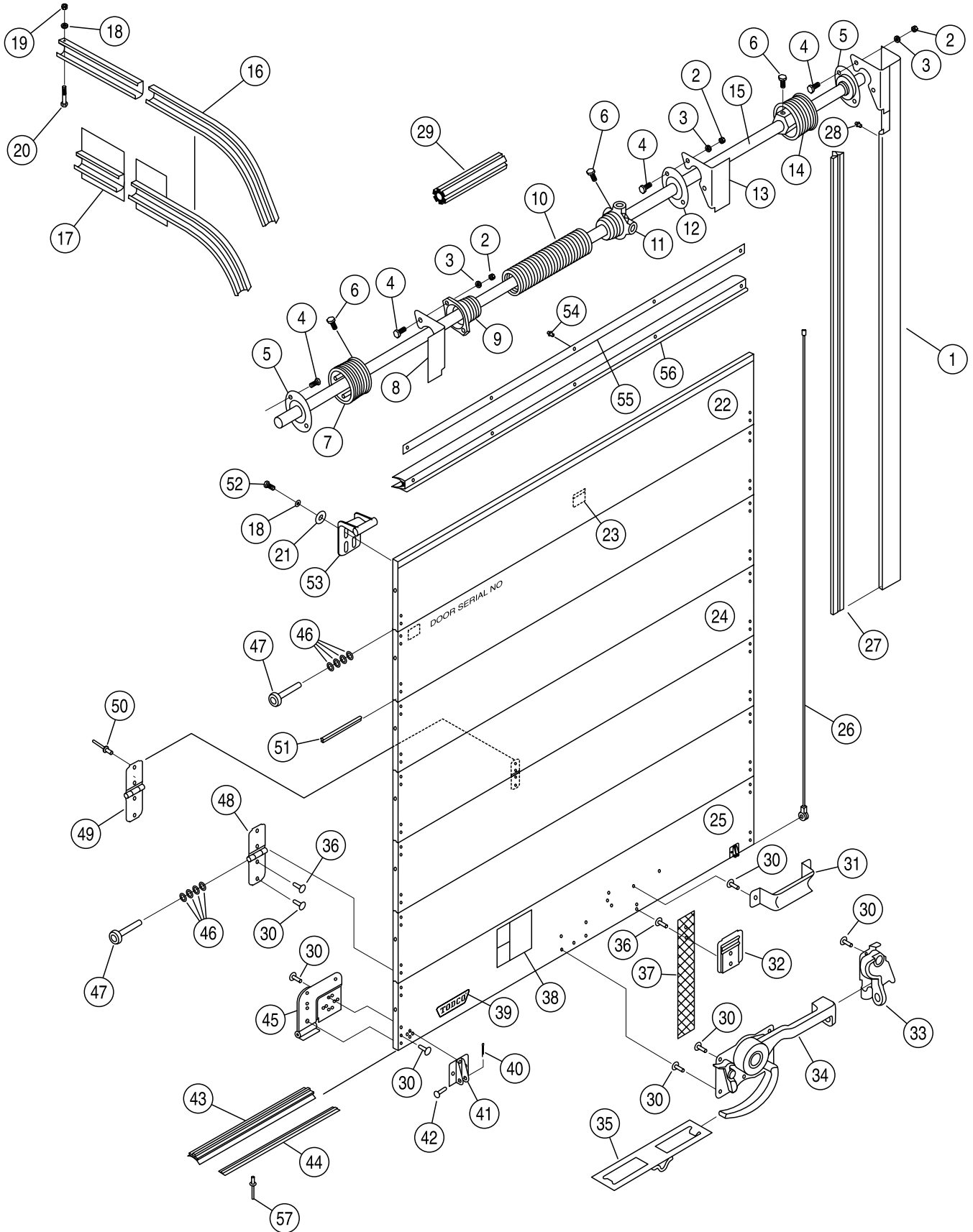


## 1 1/8" POLARGUARD

| Item | Part Number | Description  |
|------|-------------|--|
| 1    | 49593-1     | VERTICAL TRACK ASSEMBLY-L.H. (C/S)                   |
|      | 49593-2     | VERTICAL TRACK ASSEMBLY-R.H. (R/S)                   |
| 2    | 80352-518   | HEX NUT - 5/16" NC                                   |
| 3    | 80322-319   | LOCK WASHER - 5/16"                                  |
| 4    | 89186-3     | HEX HEAD BOLT - 5/16" NC X 7/8"                      |
| 5    | 51038       | BEARING ASSEMBLY                                     |
| 6    | 80300-2414  | HEX HEAD SET SCREW 3/8" NC X 7/8"                    |
| 7    | 59129-2     | CABLE DRUM (ALUM) - R.H. (R/S) TO 105" DR. HGT.      |
|      | 59157-4     | CABLE DRUM (ALUM) - R.H. (R/S) 105" TO 120" DR. HGT. |
| 8    | 51036-2     | SPRING ANCHOR BRACKET                                |
| 9    | 51043       | SPRING ANCHOR PLUG 1-3/4" I.D. SPRING                |
|      | 59024       | SPRING ANCHOR PLUG 2-1/2" I.D. SPRING                |
| 10   | 51042       | SPRING- 1-3/4" I.D.                                  |
|      | 59031       | SPRING- 2-1/2" I.D.                                  |
| 11   | 59158       | SPRING WINDING PLUG 1-3/4" I.D. SPRING               |
|      | 59159       | SPRING WINDING PLUG 2-1/2" I.D. SPRING               |
| 12   | 59083       | BEARING ASSEMBLY SUPPORT BRACKET                     |
| 13   | 51036-1     | SUPPORT BRACKET -L.H. - (C/S)                        |
| 14   | 59129-1     | CABLE DRUM (ALUM) - L.H. (C/S) TO 105" DOOR HGT.     |
|      | 59157-3     | CABLE DRUM (ALUM) - L.H. (C/S) 105" TO 120" DR. HGT. |
| 15   | 59290       | COUNTERBALANCE SHAFT                                 |
| 16   | 49702-1     | HORIZONTAL TRACK - L.H. (C/S)                        |
|      | 49702-2     | HORIZONTAL TRACK - R.H. (R/S)                        |
| 17   | 80322-255   | LOCK WASHER - 1/4" NC                                |
| 18   | 80352-420   | HEX NUT - 1/4" NC                                    |
| 19   | 80105-414   | HEX HEAD BOLT - 1/4" NC X 1-3/4"                     |
| 20   | 70083       | TOP CAP  |
| 21   | 69718       | HEAD SEAL - PANEL MOUNTED                            |
| 22   | 29652       | TOP PANEL W/ TOP CAP (SPECIFY PANEL HEIGHT & WIDTH)  |
| 23   | 70319       | WARNING STICKER - C/B                                |
| 24   | 29650       | INTERMEDIATE PANEL - 11" (SPECIFY PANEL LENGTH)      |
|      | 29651       | INTERMEDIATE PANEL - 15" (SPECIFY PANEL LENGTH)      |
| 25   | 29640       | BOTTOM PANEL - 11" (WITH HARDWARE, NO LOCK)          |
|      | 29641       | BOTTOM PANEL - 15" (WITH HARDWARE, NO LOCK)          |
|      | 29641       | BOTTOM PANEL - 15" (WITH HARDWARE, NO LOCK)          |
| 26   | 51044       | CABLE ASSEMBLY - 110" LONG (TO 100" DOOR HEIGHT)     |

| Item | Part Number | Description   |
|------|-------------|---|
| 26   | 59004       | CABLE ASSEMBLY - 115" LONG (100" TO 105" DOOR HEIGHT) |
|      | 59003       | CABLE ASSEMBLY -130" LONG (105" TO 120" DOOR HEIGHT)  |
| 27   | 61390       | SIDE SEAL - PAIR                                      |
| 28   | 89100-1     | DR. RIVET 3/16" DIA. X 9/32" LONG                     |
| 29   | 59092       | FILLER PLUG - 2-1/2" I.D. SPRING                      |
| 30   | 89291-0044  | RIVET - 1-3/8" S/S                                    |
|      | 80015-0052  | STEP BOLT -1/4" NC X 1-5/8" LG.                       |
| 31   | 61401       | LIFT HANDLE   |
| 32   | 69832       | PULL STRAP RETAINER                                   |
| 33   | 69572       | KEEPER ASSEMBLY                                       |
| 34   | 69571       | MAXIMUM SECURITY LOCK - STD.                          |
|      | 70223       | MAXIMUM SECURITY LOCK ASSEMBLY OFFSET LEVER ARM       |
| 35   | 70093       | CATCH BOX   |
| 36   | 89291-0048  | RIVET 1-1/2" S/S                                      |
| 37   | 89291-0052  | RIVET 1-5/8" S/S                                      |
| 38   | 70318       | WARNING STICKER - SAFETY NOTICE                       |
| 39   | 69793       | NAME PLATE  |
| 40   | 80401-316   | COTTER PIN - 3/32" DIA.                               |
| 41   | 61204       | CABLE ANCHOR BRACKET                                  |
| 42   | 61026       | CABLE ANCHOR PIN                                      |
| 43   | 70084       | BOTTOM SEAL   |
| 44   | 69110       | BOTTOM ANGLE  |
| 45   | 70082-2     | BOTTOM FIXTURE - R.H. (R/S)                           |
|      | 70082-1     | BOTTOM FIXTURE - L.H. (C/S)                           |
| 46   | 80020       | SPACE WASHER - ROLLER                                 |
| 47   | 69162       | ROLLER - SEALED                                       |
| 48   | 69035       | END HINGE   |
| 49   | 61196       | CENTER HINGE  |
| 50   | 89113-1     | BLIND RIVET-1/4" DIA. X 1/4" GRIP                     |
| 51   | 69989       | JOINT SEAL  |
| 52   | 69432       | BASE - ADJUSTABLE TOP FIXTURE                         |
| 53   | 69431       | SLIDE - ADJUSTABLE TOP FIXTURE                        |
| 54   | 80302-2436  | FLATWASHER - 3/8"                                     |
| 55   | 89049       | E-LOK BOLT -3/8" NC                                   |
| 56   | 80844-1408  | PULL STRAP - 30" STRAIGHT STANDARD - (44" LG.)        |

### 2 1/2" POLARGUARD





## 2 1/2" POLARGUARD

| Item | Part Number | Description  |
|------|-------------|--|
| 1    | 49312-1     | VERTICAL TRACK ASSEMBLY L.H. (C/S)                   |
|      | 49312-2     | VERTICAL TRACK ASSEMBLY R.H. (R/S)                   |
| 2    | 80352-518   | HEX NUT - 5/16" NC                                   |
| 3    | 80322-319   | LOCK WASHER - 5/16"                                  |
| 4    | 89186-3     | HEX HEAD BOLT - 5/16" NC X 7/8"                      |
| 5    | 51038       | BEARING ASSEMBLY                                     |
| 6    | 80300-2414  | HEX HEAD SET SCREW 3/8" NC X 7/8"                    |
| 7    | 59129-2     | CABLE DRUM (ALUM) - R.H. (R/S) TO 105" DOOR HGT.     |
|      | 59157-4     | CABLE DRUM (ALUM) - R.H. (R/S) 105" TO 120" DR. HGT. |
| 8    | 51036-2     | SPRING ANCHOR BRACKET                                |
| 9    | 51043       | SPRING ANCHOR PLUG 1-3/4" I.D. SPRING                |
|      | 59024       | SPRING ANCHOR PLUG 2-1/2" I.D. SPRING                |
| 10   | 51042       | SPRING - 1-3/4" I.D.                                 |
|      | 59031       | SPRING - 2-1/2" I.D.                                 |
| 11   | 59158       | SPRING WINDING PLUG 1-3/4" I.D. SPRING               |
|      | 59159       | SPRING WINDING PLUG 2-1/2" I.D. SPRING               |
| 12   | 59083       | BEARING ASSEMBLY SUPPORT BRACKET                     |
| 13   | 51036-1     | SUPPORT BRACKET L.H. (C/S)                           |
| 14   | 59129-1     | CABLE DRUM (ALUM) - L.H. (C/S) TO 105" DR. HGT.      |
|      | 59157-3     | CABLE DRUM (ALUM) - L.H. (C/S) 105" TO 120" DR. HGT. |
| 15   | 59290       | COUNTERBALANCE SHAFT                                 |
| 16   | 49702-1     | HORIZONTAL TRACK - UPPER L.H. (C/S)                  |
|      | 49702-2     | HORIZONTAL TRACK - UPPER R.H. (R/S)                  |
| 17   | 49101-1     | HORIZONTAL TRACK LOWER L.H. (C/S)                    |
|      | 49101-2     | HORIZONTAL TRACK LOWER L.H. (R/S)                    |
| 18   | 80322-255   | LOCK WASHER - 1/4" NC                                |
| 19   | 80352-420   | HEX NUT - 1/4" NC                                    |
| 20   | 80105-414   | HEX HEAD BOLT - 1/4" NC X 1-3/4"                     |
| 21   | 80302-1720  | FLATWASHER - 1/4" DIAMETER                           |
| 22   | 29558       | TOP PANEL W/ TOP CAP (SPECIFY PANEL HEIGHT & WIDTH)  |
| 23   | 70319       | WARNING STICKER - C/B                                |
| 24   | 29556       | INTERMEDIATE PANEL - 12" (SPECIFY PANEL LENGTH)      |
|      | 29557       | INTERMEDIATE PANEL - 15" (SPECIFY PANEL LENGTH)      |
| 25   | 29575-12    | BOTTOM PANEL - 12" (WITH HARDWARE, NO LOCK)          |
|      | 29575-15    | BOTTOM PANEL - 15" (WITH HARDWARE, NO LOCK)          |

| Item | Part Number | Description   |
|------|-------------|---|
| 26   | 51044       | CABLE ASSEMBLY - 110" LONG (TO 100" DOOR HEIGHT)      |
|      | 59004       | CABLE ASSEMBLY - 115" LONG (100" TO 105" DOOR HEIGHT) |
|      | 59003       | CABLE ASSEMBLY - 130" LONG (105" TO 120" DOOR HEIGHT) |
| 27   | 61390       | SIDE SEAL - PAIR                                      |
| 28   | 89100-1     | DRIVE RIVET - 3/16" DIA. X 9/32" LG.                  |
| 29   | 59092       | FILLER PLUG - 2-1/2" I.D. SPRING                      |
| 30   | 89210-0090  | RIVET - 2-13/16" S/S                                  |
|      | 80015-0096  | STEP BOLT - 1/4" NC X 3" LG.                          |
| 31   | 61401       | LIFT HANDLE   |
| 32   | 69832       | PULL STRAP RETAINER                                   |
| 33   | 69572       | KEEPER ASSEMBLY                                       |
| 34   | 69571       | MAXIMUM SECURITY LOCK ASSEMBLY - STANDARD             |
|      | 70223       | MAXIMUM SECURITY LOCK ASSEMBLY - OFFSET LEVER ARM     |
| 35   | 70093       | CATCH BOX   |
| 36   | 89291-0092  | RIVET - 2 - 7/8" S/S                                  |
| 37   | 80844-1408  | PULL STRAP - 30" STRAIGHT STANDARD - (44" LG.)        |
| 38   | 70318       | WARNING STICKER - SAFETY NOTICE                       |
| 39   | 69793       | NAME PLATE  |
| 40   | 80401-316   | COTTER PIN - 3/32" DIAMETER                           |
| 41   | 59193       | CABLE ANCHOR BRACKET                                  |
| 42   | 61026       | CABLE ANCHOR PIN                                      |
| 43   | 69987       | BOTTOM SEAL   |
| 44   | 69988       | BOTTOM SEAL RETAINER                                  |
| 45   | 69986-2     | BOTTOM FIXTURE - R.H. (R/S)                           |
|      | 69986-1     | BOTTOM FIXTURE - L.H. (C/S)                           |
| 46   | 80020       | SPACE WASHER-ROLLER                                   |
| 47   | 69162       | ROLLER - SEALED                                       |
| 48   | 69035       | END HINGE   |
| 49   | 61196       | CENTER HINGE  |
| 50   | 89113-1     | BLIND RIVET - 1/4" DIA. X 1/4" GRIP                   |
| 51   | 69989       | JOINT SEAL  |
| 52   | 80105-408   | HEX HEAD BOLT - 1/4" NC X 1"                          |
| 53   | 69265       | TOP FIXTURE   |
| 54   | 89100-2     | DRIVE RIVET - 3/16" DIA. X 15/32" LG.                 |
| 55   | 61403       | RETAINER-HEAD SEAL                                    |
| 56   | 70135       | HEAD SEAL   |
| 57   | 89271-1     | BLIND RIVET - 1/4" DIA X 1" GRIP                      |

## TOP SEALS



| Part Number | Description  |
|-------------|--------------|
| 61402       | TOP SEAL 96" |



| Part Number | Description  |
|-------------|--------------|
| 69770-3072  | TOP SEAL 96" |



| Part Number | Description             |
|-------------|-------------------------|
| 70001       | SEAL W/<br>RETAINER 98" |



| Part Number | Description  |
|-------------|--------------|
| 69718-3136  | TOP SEAL 98" |

## SIDE SEALS



| Part Number | Description  |
|-------------|--------------|
| 70338       | PUSH-IN 108" |



| Part Number | Description          |
|-------------|----------------------|
| 70131       | SIDE SEAL 2-LIP 110" |
| 70131-3072  | SIDE SEAL 2-LIP 96"  |



| Part Number | Description    |
|-------------|----------------|
| 61390-3456  | SIDE SEAL 108" |



| Part Number | Description    |
|-------------|----------------|
| 69922       | SIDE SEAL 110" |

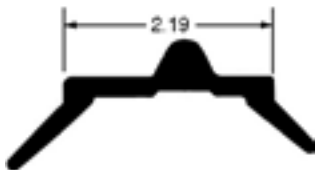


| Part Number | Description             |
|-------------|-------------------------|
| 69840       | SIDE SEAL 110" LONG LIP |

## BOTTOM SEALS



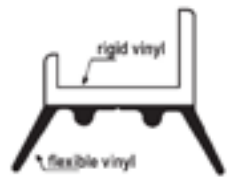
| Part Number | Description   |
|-------------|---------------|
| 80840-7500  | SEAL 75' ROLL |



| Part Number | Description     |
|-------------|-----------------|
| 69987       | BOTTOM SEAL 96" |



| Part Number | Description     |
|-------------|-----------------|
| 70084-3072  | BOTTOM SEAL 98" |



| Part Number | Description                        |
|-------------|------------------------------------|
| 70337       | QUICK CHANGE<br>BOTTOM SEAL 97.38" |

**TODCO ROLL-UP DOOR PANELS 3/4"**


| INTERMEDIATE PANELS PLASTIC COATED   |              |               |
|--------------------------------------|--------------|---------------|
| Part Number                          | Size         | Color         |
| 29014-11.5X98                        | 11.5" X 98"  | PRIMED        |
| 29014-11X98                          | 11" X 98"    |               |
| 29014-11X98PPW                       |              |               |
| 29014-12X98                          | 12" X 98"    | PRIMED        |
| 29014-12X98PPW                       |              | PAINTED WHITE |
| 29014-13X98                          | 13" X 98"    | PRIMED        |
| 29014-15X98                          | 15" X 98"    |               |
| 29014-15X98PPW                       |              |               |
| 29014-18X98                          | 18" X 98"    | PRIMED        |
| INTERMEDIATE PANELS TOUGHSELL FINISH |              |               |
| 29889-16X95.56ABF                    | 16" X 95.56" | ABF GRAY      |
| 29889-16X96.38ABF                    | 16" X 96.38" |               |
| INTERMEDIATE PANELS ALUMINUM CLAD    |              |               |
| 29018-11X98                          | 11" X 98"    | PAINTED WHITE |
| 29018-12X98                          | 12" X 98"    |               |
| 29018-13X98                          | 13" X 98"    |               |
| 29018-15X98                          | 15" X 98"    |               |
| BOTTOM PANELS W/ HARDWARE (NO LOCK)  |              |               |
| Part Number                          | Size         | Color         |
| 29016-1-11X98                        | 11" X 98"    | PRIMED        |
| 29016-1-11X98PPW                     |              | PAINTED WHITE |
| 29016-1-12X98                        | 12" X 98"    | PRIMED        |
| 29016-1-12X98PPW                     |              | PAINTED WHITE |

| BOTTOM PANELS W/ HARDWARE (NO LOCK)                          |              |               |
|--|--------------|---------------|
| Part Number  | Size         | Color         |
| 29016-1-13X98  | 13" X 98"    | PRIMED        |
| 29016-1-15X98  | 15" X 98"    |               |
| 29016-1-15X98PPW   |              | PAINTED WHITE |
| 29016-1-16X98  | 16" X 98"    | PRIMED        |
| BOTTOM PANELS TOUGHSELL FINISH W/ HARDWARE (NO LOCK)         |              |               |
| 29890-1-16X95.56   | 16" X 95.56" | ABF GRAY      |
| 29890-1-16X96.38   | 16" X 96.38" |               |
| BOTTOM PANEL TOUGHSELL FINISH W/ BOTTOM FIXTURES & SEAL ONLY |              |               |
| 29890-16X96.38   | 16" X 96.38" | ABF GRAY      |
| BOTTOM PANELS TOUGHSELL FINISH COMPLETE W/ HARDWARE & LOCK   |              |               |
| 29890-2-16X95.56   | 16" X 95.56" | ABF GRAY      |
| 29890-2-16X96.38   | 16" X 96.38" |               |
| BOTTOM PANELS ALUMINUM CLAD W/ BOTTOM FIXTURES & SEAL ONLY   |              |               |
| 29020-11X98  | 11" X 98"    | PAINTED WHITE |
| 29020-12X98  | 12" X 98"    |               |
| 29020-13X98  | 13" X 98"    |               |
| 29020-15X98  | 15" X 98"    |               |

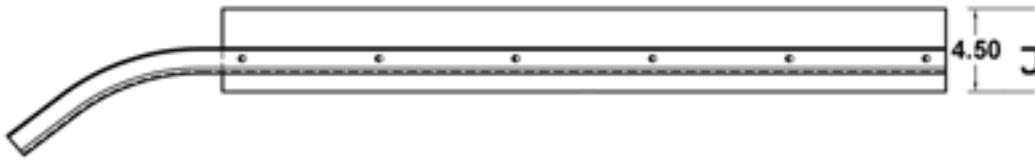
**TODCO POLAR GUARD DOOR PANELS UNIVERSAL STYLE**


| INTERMEDIATE PANELS                 |           |           |               |
|-------------------------------------|-----------|-----------|---------------|
| Part Number                         | Size      | Thickness | Color         |
| 29937-12X98INT                      | 12" X 98" | 2-1/2"    | PAINTED WHITE |
| 29937-15X98INT                      | 15" X 98" |           |               |
| 29938-11X98INT                      | 11" X 98" | 1-1/8"    |               |
| 29938-15X98INT                      | 15" X 98" | 1-1/8"    |               |
| 29557-15X98                         |           | 2-1/2"    |               |
| 29650-11X98                         | 11" X 98" | 1-1/8"    |               |
| 29651-15X98                         | 15" X 98" | 1-1/8"    |               |
| 29651-15X98PPW                      |           |           |               |
| BOTTOM PANELS W/ HARDWARE (NO LOCK) |           |           |               |
| 29937-12X98BTM                      | 12" X 98" | 2-1/2"    | PAINTED WHITE |
| 29937-15X98BTM                      | 15" X 98" |           |               |
| 29938-15X98BTM                      | 15" X 98" | 1-1/8"    |               |

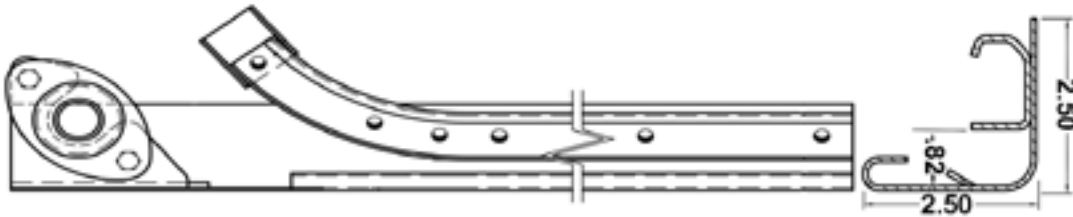
| BOTTOM PANELS W/ HARDWARE (LOCK & KEEPER LOOSE) |           |           |               |
|---|-----------|-----------|---------------|
| Part Number                                     | Size      | Thickness | Color         |
| 29555-12X98                                     | 12" X 98" | 2-1/2"    | PAINTED WHITE |
| 29555-15X98                                     | 15" X 98" |           |               |
| 29640-11X98                                     | 11" X 98" | 1-1/8"    |               |
| 29641-15X98                                     | 15" X 98" |           |               |
| TOP PANELS W/ TOP CAP & HEAD SEAL               |           |           |               |
| 29558-12X98                                     | 12" X 98" | 2-1/2"    | PAINTED WHITE |
| 29558-15X98                                     | 15" X 98" |           |               |
| 29652-11X98                                     | 11" X 98" | 1-1/8"    |               |
| 29652-15X98                                     | 15" X 98" |           |               |



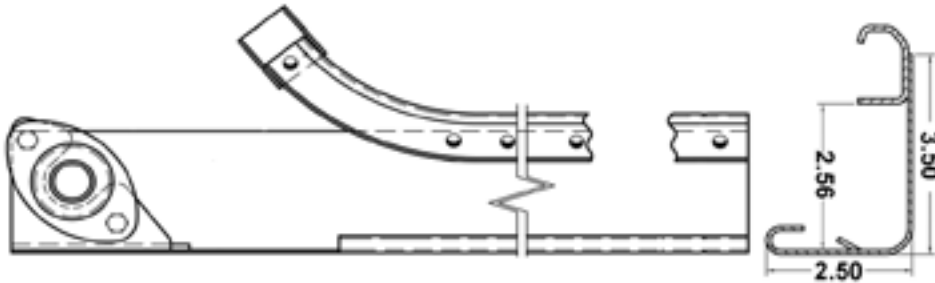
## TODCO TRACK



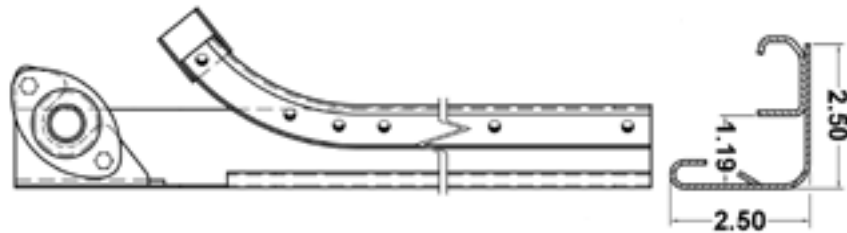
| Part Number | Description  |
|-------------|--|
| 49101-1     | HORIZONTAL TRACK 10"R LOWER C/S 2-1/2" POLARGUARD 129" |
| 49101-2     | HORIZONTAL TRACK 10"R LOWER R/S 2-1/2" POLARGUARD 129" |



| Part Number | Description                                      |
|-------------|--|
| 49014-1     | VERTICAL TRACK W/ ANGLE 118-3/4" C/S DRY FREIGHT |
| 49014-2     | VERTICAL TRACK W/ ANGLE 118-3/4" R/S DRY FREIGHT |



| Part Number | Description  |
|-------------|--|
| 49312.100   | VERTICAL TRACK C/S 2-1/2" POLAR GUARD UP TO 100" OPENING |
| 49312.200   | VERTICAL TRACK R/S 2-1/2" POLAR GUARD UP TO 100" OPENING |



| Part Number | Description  |
|-------------|--|
| 49593.100   | VERTICAL TRACK C/S 1-1/8" POLAR GUARD UP TO 110" OPENING |
| 49593.200   | VERTICAL TRACK R/S 1-1/8" POLAR GUARD UP TO 110" OPENING |

## TODCO TRACK & BALANCERS



### USED ON DRY FREIGHT & 1-1/8" POLAR GUARD DOORS

| Part Number | Description                             |
|-------------|---|
| 49702-1     | HORIZONTAL TRACK C/S UP TO 112" OPENING |
| 49702-2     | HORIZONTAL TRACK R/S UP TO 112" OPENING |



### BALANCER ASSEMBLIES

| Part Number | Description                  |
|-------------|------------------------------|
| 59209-0     | .262" X 60" SPRING 98" SHAFT |
| 59220-0357  | SHALLOW HEADER 96" SHAFT     |
| 59292       | .243" X 57" SPRING 96" SHAFT |
| 59293-0357  | EXTERNAL DRUM 96" SHAFT      |
| 51037-96    | BALANCER SHAFT ONLY 96"      |