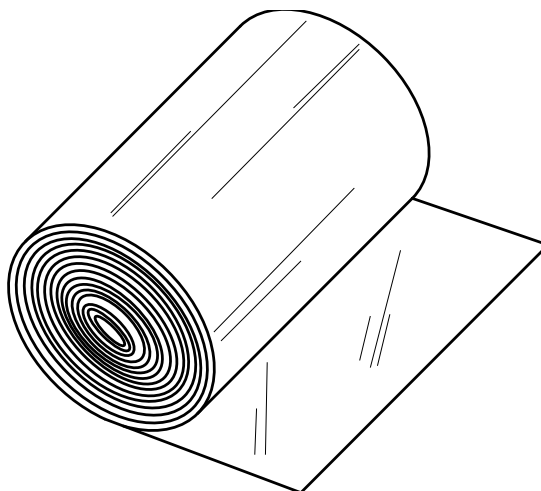


## FIBERGLASS SCUFFBANDS & LINING



FIBERGLASS SCUFFBAND				
Part Number	Thickness	Height	Length	Note
090X12X53	.090"	12.00"	53'	LIGHT WEIGHT STANDARD
090X16X53		16.00"		
090X24X53		24.00"		
090X48X53		48.00"		
.240X24X28	.240"	24.00"	28'	MONSTER SCUFF

PUNCTURE GUARD				
Part Number	Thickness	Height	Length	Description
.070X20.90X107	.070"	20.90"	8'-11"	DRY FREIGHT
.070X96X636		96.00"	53'-0"	REEFER, 2 LAYER FABRIC
43609070X87X640		87.00"	53'-4"	REEFER, CORED
.10X42X626	.100"	42.00"	52'-2"	DRY FREIGHT, 3 LAYER FABRIC
.10X96X600		96.00"	50'-0"	REEFER, 3 LAYER FABRIC
.20X12X628	.200"	12.00"	52'-4"	DRY FREIGHT, 5 LAYER
.20X16X626		16.00"	52'-2"	REEFER, 5 LAYER
.20X18X628.75		18.00"	52'-4-3/4"	DRY FREIGHT, 5 LAYER
.20X24X636		24.00"	53'-0"	REEFER, 5 LAYER
REPKIT	REPAIR KIT FOR PUNCTURE GUARD			

KEMLITE LINING				
Part Number	Height	Thickness	Length	Note
090X48X10	48"	.90"	10'	FLAT SHEET
090X103X250	103.00"	.75"	250'	LIGHT WEIGHT STANDARD
090X103X54		1.00"	54'	
ARMNXT075X96X53	96.00"	.075"	53'	EMBOSSSED ARMORTUFF NXT
EARM085X101X53	.085"	1.00"		EMBOSSSED ARMORTUFF