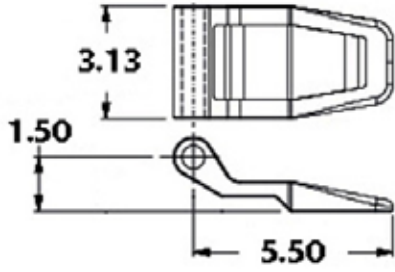
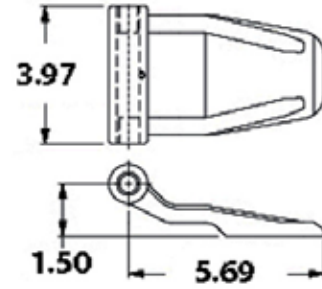


- CONTAINER HINGES 22-1
- CONTAINER CASTINGS 22-1
- TWISTLOCKS AND PINS 22-2, 22-3
- TWISTLOCK HANDLES 22-3, 22-4
- TWISTLOCK LATCHES 22-5, 22-6
- MISCELLANEOUS TWISTLOCK PARTS 22-6

## CONTAINER HINGES

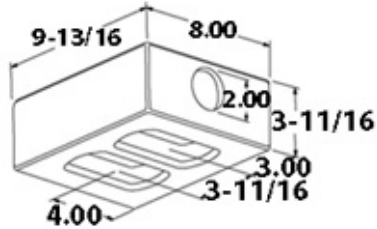


Part Number	Description
1402-2274	ZINC PLATED STEEL W/ 1/2" NYLON BUSHING REPLACES #HF-005



Part Number	Description
1402-6373	ZINC PLATED STEEL W/ 1/2" BRASS BUSHING FITS CIMC CONTAINER

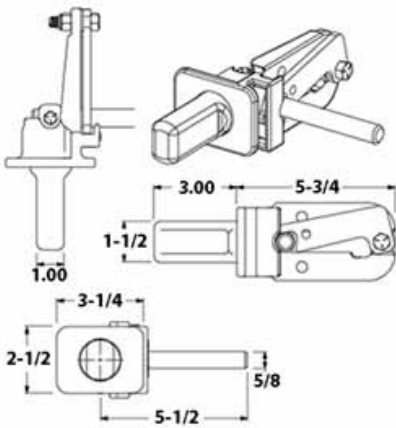
## CONTAINER CASTINGS



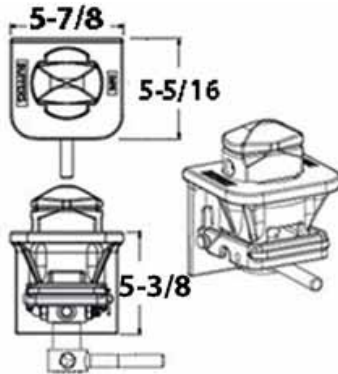
Part Number	Description
6202-5020-C/D	BOTTOM CASTING, DOMESTIC CONTAINER, DOUBLE APERTURE, SHALLOW



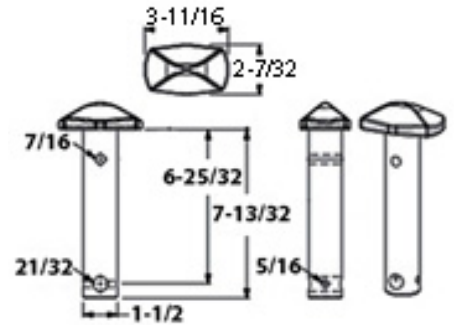
**TWISTLOCKS AND PINS**



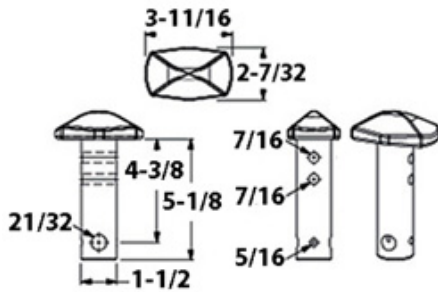
Part Number	Description
1103-1213-L	PINLOCK FRONT BOLSTER R/S



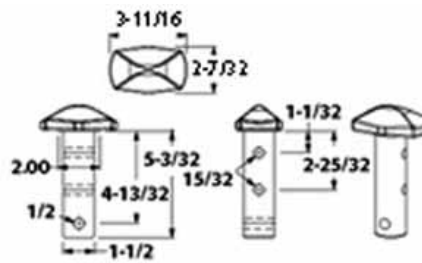
Part Number	Description
1101-3690-R	RETRACTABLE LONG BACKPLATE ROUNDED CORNERS



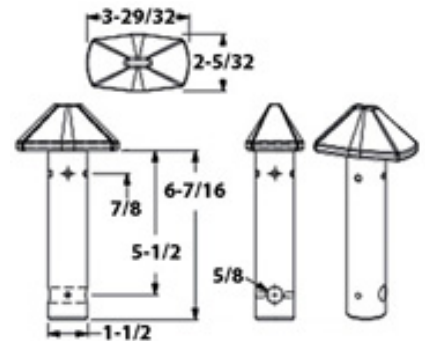
Part Number	Description
1105-1131-2	PIN FOR TWISTLOCK 1131, 1206, 1207, L/R



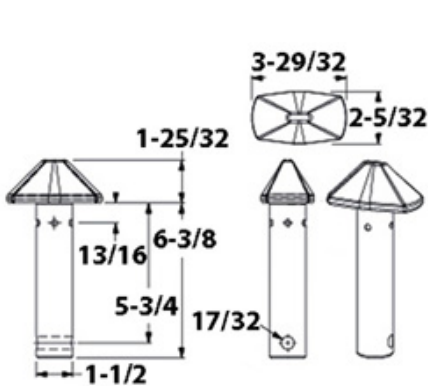
Part Number	Description
1105-1148-2	PIN FOR TWISTLOCK 1148, 1235, 1236, 3270, 3290



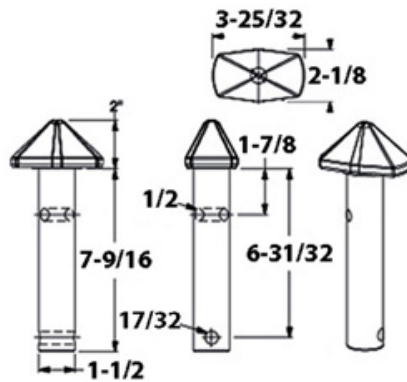
Part Number	Description
1105-1257-2	PIN FOR TWISTLOCK 1257, 1259, 3229, 3248, F66, F-77



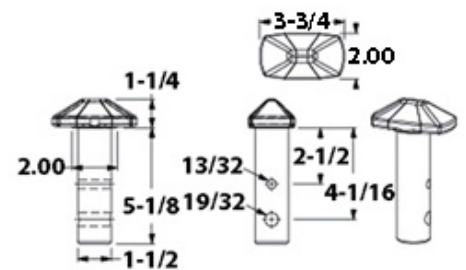
Part Number	Description
1105-1301	PIN FOR ML85-2/3 TWISTLOCK OLD BODY W/O WASHER



Part Number	Description
1105-1321	PIN FOR TWISTLOCK STRICK CHASSIS, ML85-4/5

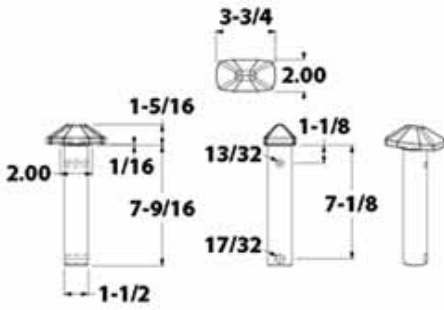


Part Number	Description
1105-1447	PIN FOR TWISTLOCK SCHULZ F-33

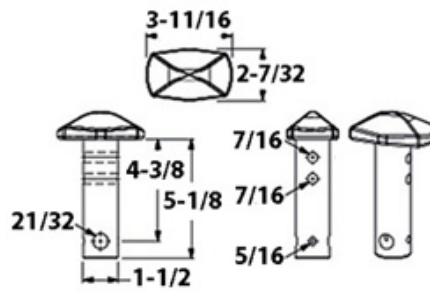


Part Number	Description
1105-1450	PIN FOR TWISTLOCK PENZ 90-36/ST, L/R

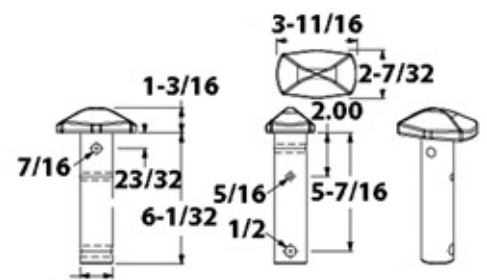
### TWISTLOCK PINS



Part Number	Description
1105-1452	PIN FOR TWISTLOCK PENZ 90-05

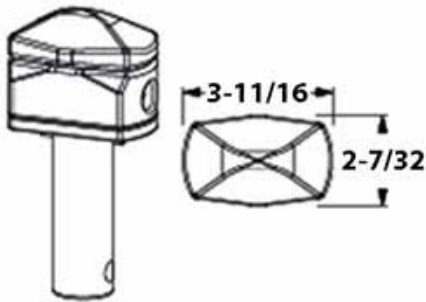


Part Number	Description
1105-1148-2	PIN FOR TWISTLOCK 1148, 1235, 1236, 3270, 3290

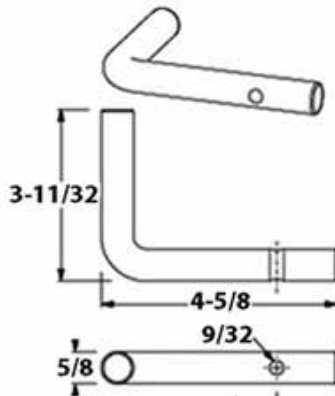


Part Number	Description
1105-3533-2	PIN FOR TWISTLOCK 3500, 3600, 3700 SERIES

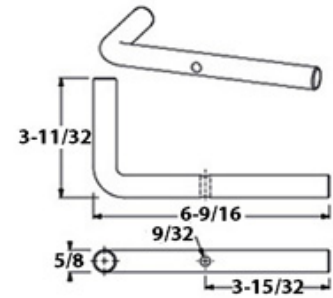
### TWISTLOCK HANDLES



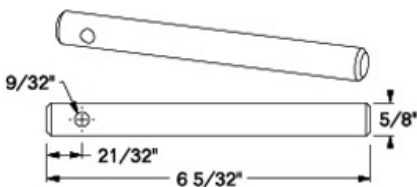
Part Number	Description
1105-3533-INNER	PIN ASSEMBLY FOR 3500, 3600, 3700 SERIES



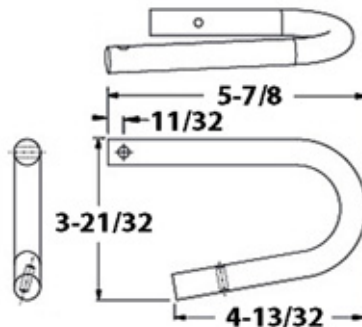
Part Number	Description
1107-1131-4	HANDLE FOR TWISTLOCK 1131, 1206, L/R



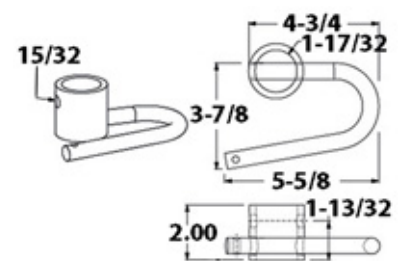
Part Number	Description
1107-1207-4	HANDLE FOR TWISTLOCK 1207-L 1207-R



Part Number	Description
1107-1175-4	HANDLE FOR PINLOCK 1175, 1213, 1318



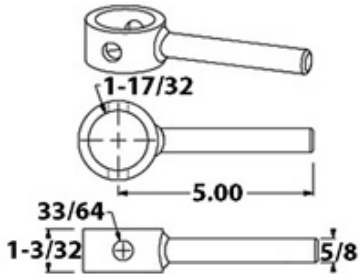
Part Number	Description
1107-1269-L	HANDLE FOR TWISTLOCK ML85-2/3 LH (SHOWN)
1107-1269-R	HANDLE FOR TWISTLOCK ML85-2/3 RH



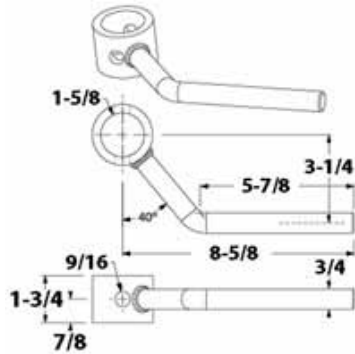
Part Number	Description
1107-1300-L	HANDLE FOR TWISTLOCK ML85-4/5 LH (SHOWN)
1107-1300-R	HANDLE FOR TWISTLOCK ML85-4/5 RH



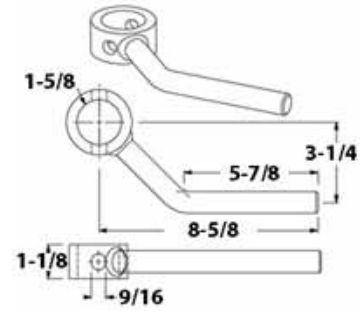
**TWISTLOCK HANDLES**



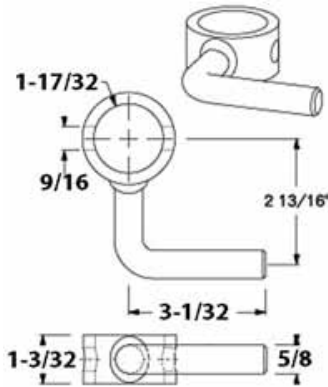
Part Number	Description
1107-3133-4	HANDLE FOR TWISTLOCK 3100, 3500, 3600 SERIES



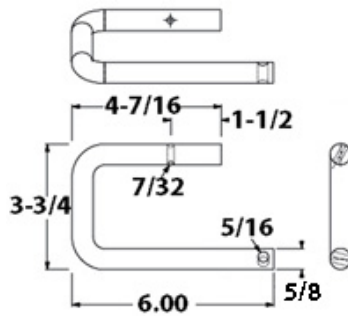
Part Number	Description
1107-1561	HANDLE FOR TWISTLOCK 3500, 3600, 3700 SERIES



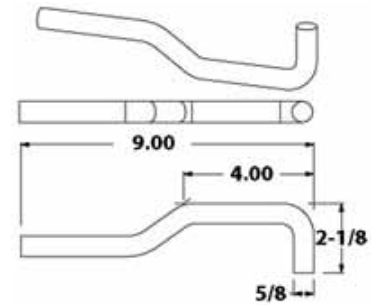
Part Number	Description
1107-1399	HANDLE FOR TWISTLOCK SCHULZ F66NS, ZINC



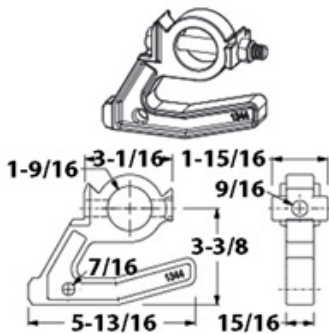
Part Number	Description
1107-3423-4	HANDLE FOR TWISTLOCK L-SHAPE NON HANDED



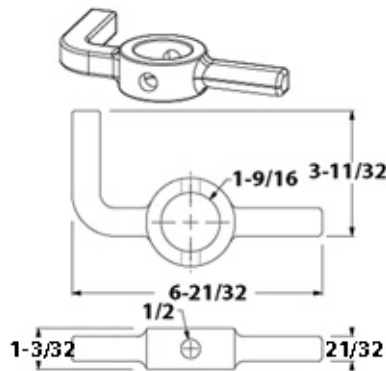
Part Number	Description
1107-1519-R	HANDLE FOR TWISTLOCK PENZ 90-03



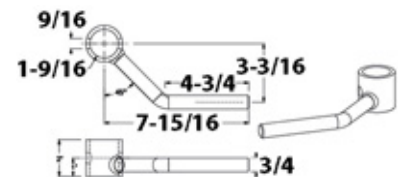
Part Number	Description
1107-1377	HANDLE FOR PINLOCK



Part Number	Description
1107-1344-KIT	HANDLE FOR TWISTLOCK W/ 1/2" BOLT SCHULZ F-33

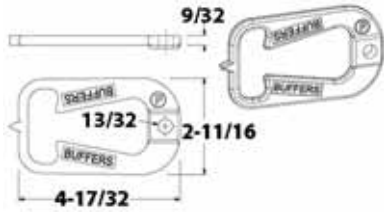


Part Number	Description
1107-3206-4	HANDLE FOR TWISTLOCK 3206, 3406 L/R

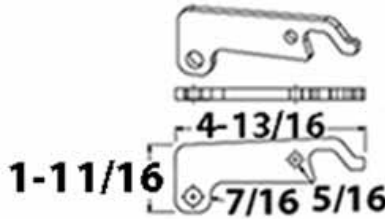


Part Number	Description
1107-1400-L	HANDLE FOR TWISTLOCK PENZ 90-34, LEFT (SHOWN)
1107-1400-R	HANDLE FOR TWISTLOCK PENZ 90-34, RIGHT

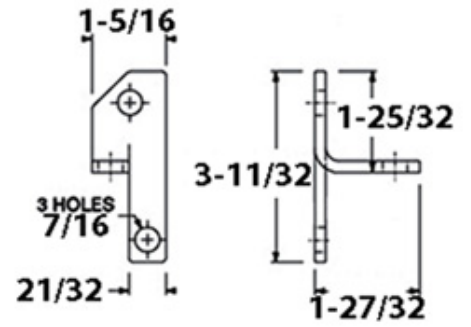
## TWISTLOCK LATCHES



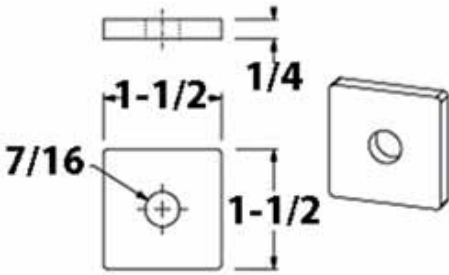
Part Number	Description
1108-1175-18	LATCH FOR PINLOCK NON HANDED, PRIMER



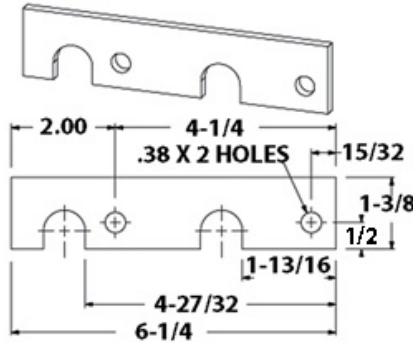
Part Number	Description
1108-1213-18	LATCH FOR PINLOCK 1213, 1318, ZINC



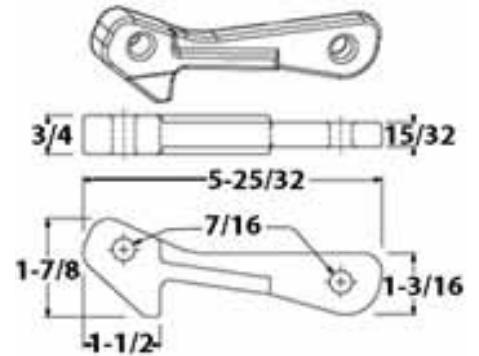
Part Number	Description
1108-1224-2L	LATCH FOR TWISTLOCK LEFT, ZINC (SHOWN)
1108-1224-2R	LATCH FOR TWISTLOCK RIGHT, ZINC



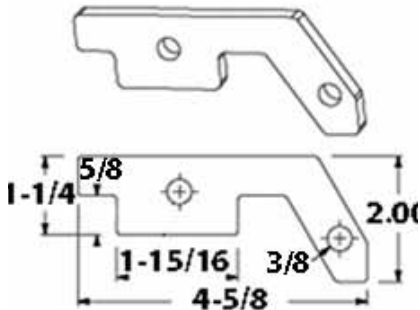
Part Number	Description
1108-1349	LATCH TAB PENZ 25-02, 25-04



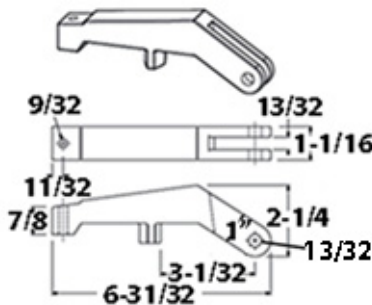
Part Number	Description
1108-1268	LATCH FOR PINLOCK ML-90, ZINC



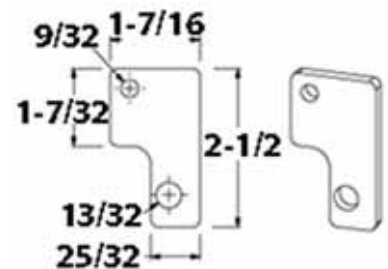
Part Number	Description
1108-1345	LATCH FOR TWISTLOCK SCHULZ F-33, PRIMER



Part Number	Description
1108-1350	LATCH FOR PINLOCK SCHULZ FB88-HL, ZINC

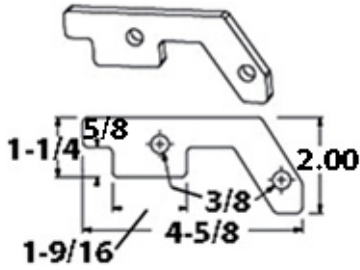


Part Number	Description
1108-1404	LATCH FOR PINLOCK SCHULZ FB88, PRIMER

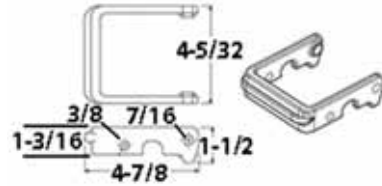


Part Number	Description
1108-1417-18	LATCH FOR PINLOCK NON HANDED, ZINC

### TWISTLOCK LATCHES

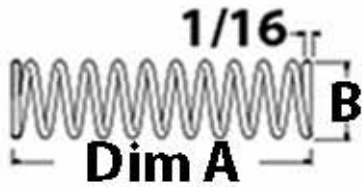


Part Number	Description
1108-1568	LATCH FOR PINLOCK PENZ 90-26/ST, 90-14/HD

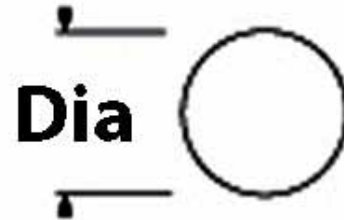


Part Number	Description
1108-3133-18	LATCH FOR TWISTLOCK 3100, 3500, 3600, 3700 SERIES

### MISCELLANEOUS TWISTLOCK PARTS



Part Number	Description	Dim A	Dim B
1110-4577	DETENT SPRING FOR TWISTLOCK	9/16"	9/32"
1110-4550		1-5/16"	3/8"
1110-4502		1-1/2"	



Part Number	Description	Diameter
1110-4562	DETENT BALL FOR TWISTLOCK	5/16"
1110-4501		3/8"
1110-4549		7/16"

