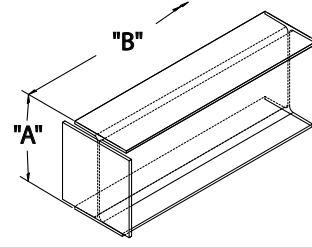
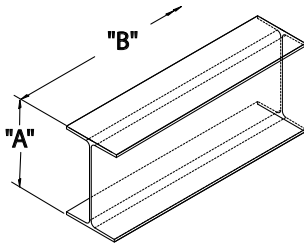
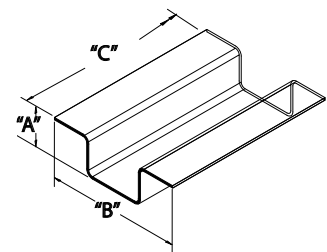
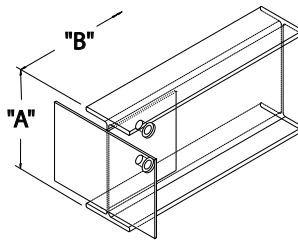
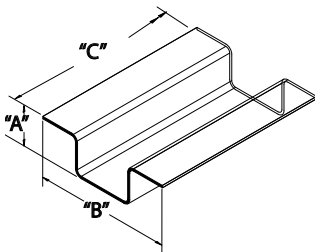


GREAT DANE CROSSMEMBERS



UNIVERSAL PLAIN I-BEAM CROSSMEMBERS STEEL					
Part Number	Dim A	Dim B	NOTE		
81091	2.25"	100.66"	PRIMED		
15781		101.39"			
008-26678-01612	4.00"	100.75"	SUPERSEAL		
3X102P	3.00"	102.00"	PRIMED		
4X102P	4.00"			UNPAINTED	
4X102UP					W/ LOOSE 4" X 5" CLIPS
4X102WUC					
008-10120-01612	5.00"	100.75"	SUPERSEAL		
08107MEPH	6.00"	96.63"	FLATBED		
PLAIN I-BEAM CROSSMEMBERS ALUM					
Part Number	Dim A	Dim B			
4X102AL	4.00"	102"			
5X102AL	5.00"				

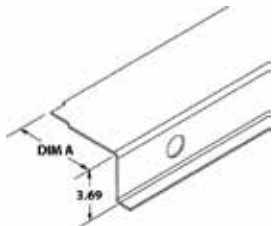
STEEL I-BEAM CROSSMEMBER ASSEMBLIES				
Part Number	Dim A	Dim B	Note	
A30503501001	3.00"	101.31"	ALUM T-CLIP	
30101517		101.66"	3.85" X 5.00" CLIP	
30133446	3.50"	95.30"	3.00" X 3.50" CLIP	
30133445				
30101518	4.00"	101.00"	4.00" X 5.00" CLIP	
A30305500001		101.31"	ALUM T-CLIP	
30101506		101.66"	4.00" X 5.00" CLIP	
30101511				
30101514		95.30"	3.50" X 3.50" CLIP	
33166				
30101516		5.00"	101.31"	3.85" X 5.00" CLIP
33016				3.50" X 3.50" CLIP
A30108101001			ALUM T-CLIP	



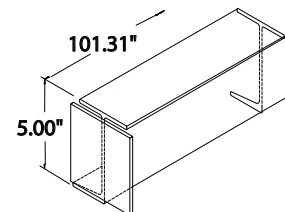
STEEL HAT TYPE CROSSMEMBER			
Part Number	Dim A	Dim B	Dim C
00015401001	2.25"	7.00"	101.39"
69102834	2.00"	7.50"	100.46"
69102522			101.12"
40100272	4.00"	8.23"	101.39"

ALUMINUM I-BEAM CROSSMEMBER ASSEMBLIES			
Part Number	Dim A	Dim B	Note
30133478	3.65"	101.66"	3.20" X 3.78" CLIP
30133478001			W/ OLD STYLE CLIP
A30106225001	4.00"	101.31"	3.25" X 5.50" CLIP
30105622		101.66"	3.90" X 5.75" CLIP
30105621		95.30"	
30133267	4.15"	101.66"	3.20" X 3.78" CLIP
30133266		95.30"	
30105624	5.00"	101.66"	3.90" X 5.75" CLIP
30105623		95.30"	

ALUM HAT TYPE CROSSMEMBER			
Part Number	Dim A	Dim B	Dim C
60413603X101.29	3.75"	6.32"	101.29"



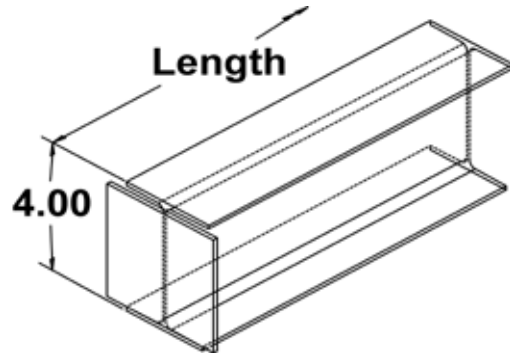
Part Number	Description	Dim A
40102258	SHEAR PANEL 101.39"	7.70"
40102266	SHEAR PANEL 101.39"	6.23"



Part Number	Description
350-41536-01621	J-CROSSMEMBER 5.00" X 101.31"(SUPERSEAL)

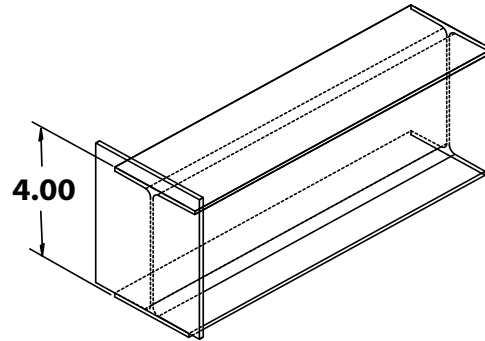
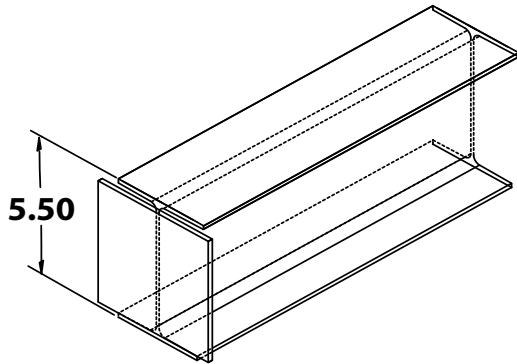


ALL MAKES CROSSMEMBERS



Part Number	Description	Length
010021	MORGAN CROSSMEMBER 3" STEEL	95.62"
010025		101.62"

Part Number	Description	Length
004-18454-001-01	STOUGHTON CROSSMEMBER 4" STEEL BARE W/CLIPS	101.13"



Part Number	Description	Length
04-2550-0-026	UTILITY CROSSMEMBER 5.5" ALUMINUM W/CLIPS & HOLES	102.00"

Part Number	Description	Length
02000010	WABASH CROSSMEMBER 4" STEEL W/CLIPS	101.00"