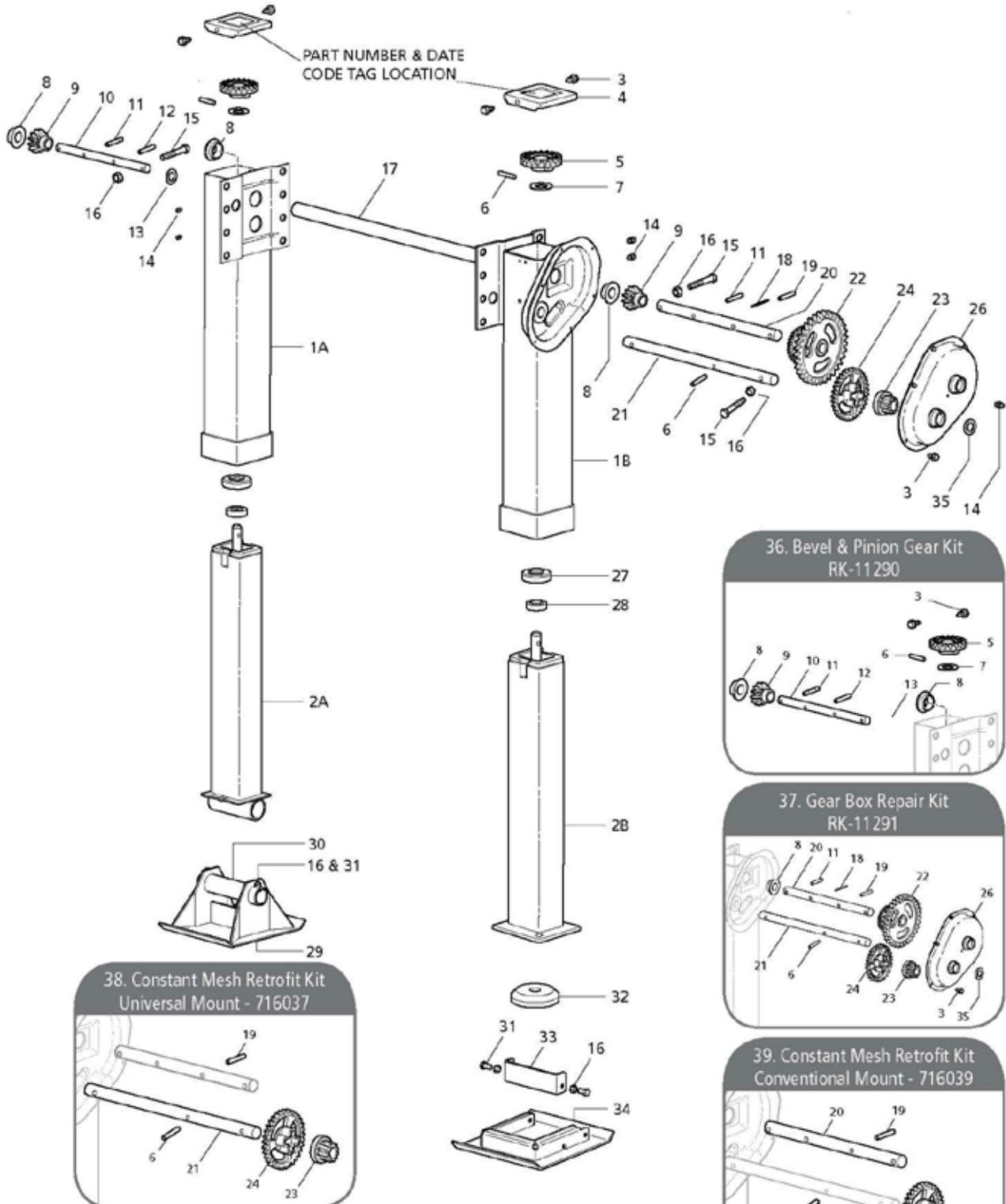




MODEL CMS2 COMPONENTS



DISCONTINUED MODEL SERVICE PARTS ONLY
As of 07/2010 CMS2 model legs were replaced with the Holland CLASSIC model.

MODEL CMS2 COMPONENTS

Item	Part Number	Description
1A	N/A	UPPER LEG ASSY LH 1-SPEED
1B	N/A	UPPER LEG ASSY RH 2-SPEED
2A	N/A	LOWER LEG ASSY SANDSHOE
2B	N/A	LOWER LEG ASSY REMOVABLE CUSHION FOOT
3	XB-ST5-008-11	SELF-TAPPING SCREW 1/4"-20 X 1/2"
4	751612	COVER - SQUARE LEG
	751601	COVER - ROUND LEG
5	730590	BEVEL GEAR
6	725046	GROOVE PIN 5/16" X 1-1/2"
7	XB-PW-016-62	WASHER
8	724037	SHAFT BUSHING - SQUARE LEG
	724036	SHAFT BUSHING - ROUND LEG

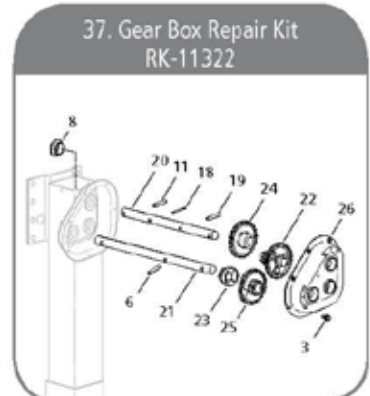
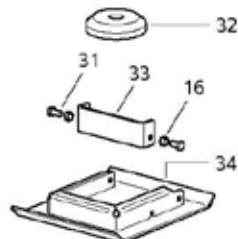
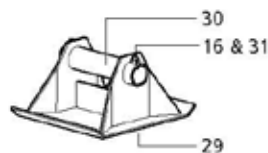
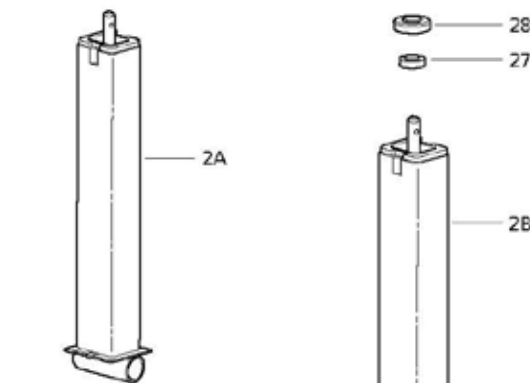
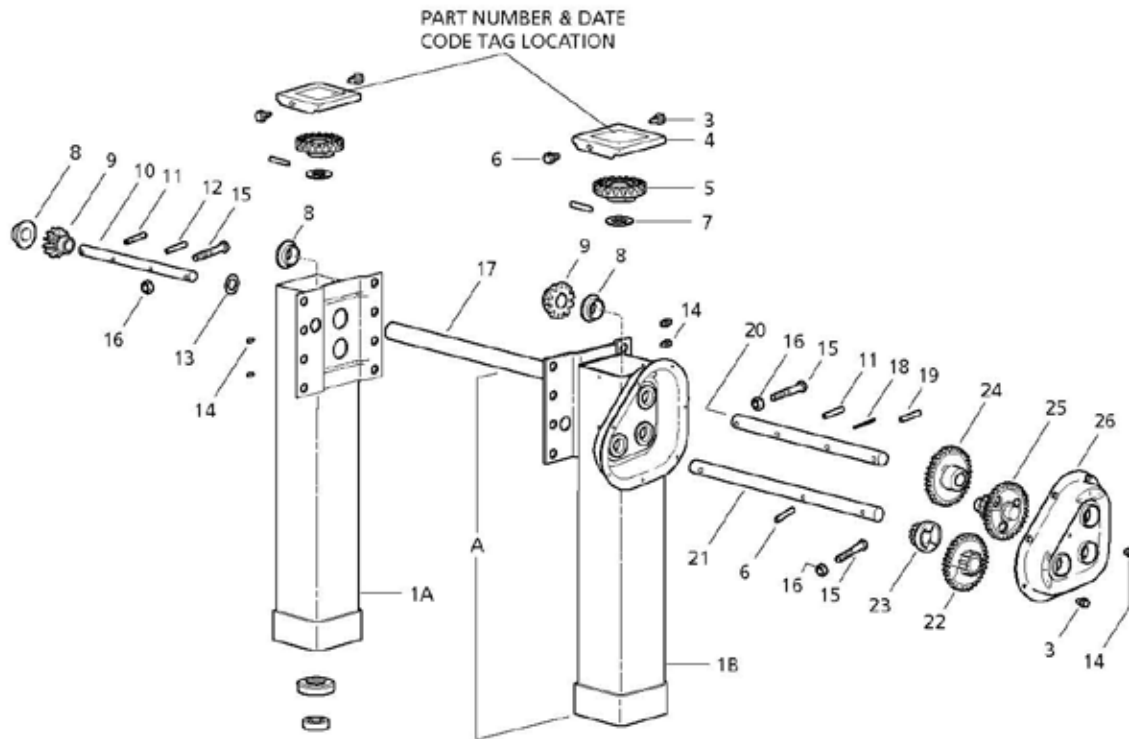
Item	Part Number	Description
9	730011	PINION GEAR
10	750004	JACK SHAFT LH - UNIVERSAL MOUNT
	750450	JACK SHAFT LH - CONVENTIONAL MOUNT
	750452	JACK SHAFT LH - REVERSE MOUNT
11	725002	SPRING PIN 3/8" X 1-3/8"
12	725001	SPRING PIN 1/4" X 1-1/4"
13	XB-PW-016-13	FLAT WASHER
14	727000	GREASE FITTING
15	XB-HHC-050-42	HEX CAP SCREW .38"-16 X 2-1/4"
16	XB-SLN-012-04	SELF-LOCKING NUT 3/8"-16
17	LG0094-XXXX	CROSS DRIVE SHAFT
18	729002	WIRE
19	725003	SPRING PIN 3/8" X 1-1/2"

Item	Part Number	Description
20	750002	PINION SHAFT 2 SPEED UNIVERSAL MOUNT
	750241	PINION SHAFT 2 SPEED OUTSIDE MOUNT
	750245	PINION SHAFT 2 SPEED INSIDE MOUNT
21	751175	CRANKSHAFT UNIVERSAL MOUNT
	751198	CRANKSHAFT OUTSIDE MOUNT
	751175	CRANKSHAFT INSIDE MOUNT
22	750009	RIGID GEAR
23	751173	LOW SPEED DRIVE GEAR
24	751174	HIGH SPEED DRIVE GEAR
26	741158	OUTSIDE COVER ASSEMBLY
27	730007	COLLAR - ELEVATING SCREW
28	729108	BEARING

Item	Part Number	Description
29	50616001	SANDSHOE - 10" X 10" X 4.50" CODE 444
	50616008	SANDSHOE - 10" X 10" X 2.00" CODE 400
30	LG0070-02	SANDSHOE AXLE HOLLOW AXLE 8.50" LG.
31	XB-HHC-050-69	HEX CAP SCREW 3/8"-16 X .3/4"
32	728003	CUSHION FOOT PAD RCF
33	730638	INTERCHANGEABLE STRAP RCF
34	730640	RCF 10" X 10"
35	728000	SEAL
36	RK-11290	BEVEL & PINION GEAR REPAIR KIT
37	RK-11291	GEAR BOX REPAIR KIT
38	716037	CONSTANT MESH RETROFIT KIT - UNIV. MOUNT
39	716039	CONSTANT MESH RETROFIT KIT - CONV. MOUNT



MODEL CMS3 COMPONENTS



DISCONTINUED MODEL SERVICE PARTS ONLY

As of 09/2010 CMS3 model legs were replaced with the Holland ATLAS 55 model.



MODEL CMS3 COMPONENTS

Item	Part Number	Description
1A	N/A	UPPER LEG ASSEMBLY NON GEAR
1B	N/A	UPPER LEG ASSEMBLY GEARBOX
2A	N/A	LOWER LEG ASSEMBLY - SANDSHOE
2B	N/A	LOWER LEG ASSEMBLY - REMOVABLE CUSHION FOOT
3	XB-ST5-008-11	SELF TAPPING SCREW
4	751612	COVER
5	130004	BEVEL GEAR
6	725046	GROOVE PIN 5/16" X 1-1/2"
7	XB-PW-016-62	HARDENED WASHER
8	724037	SHAFT BUSHING
9	130003	PINION GEAR
10	750004	JACK SHAFT LH - UNIVERSAL MOUNT
	750450	JACK SHAFT LH - CONVENTIONAL MOUNT
	750452	JACK SHAFT LH - REVERSE MOUNT
11	725002	SPRING PIN 3/8" X 1-3/8"
12	725001	SPRING PIN 1/4" X 1-1/4"
13	XB-PW-016-13	FLAT WASHER
14	727000	GREASE FITTING
15	XB-HHC-050-42	HEX HEAD CAPSCREW 3/8"-16 X 2-1/4"
16	XB-SLN-012-04	SELF LOCKING NUT 3/8"-16
17	LG0094-XXXX	CROSS DRIVE SHAFT
18	729002	WIRE
19	725003	SPRING PIN 3/8" X 1-1/2"
20	180000	JACK SHAFT RH - UNIVERSAL MOUNT
	180010	JACK SHAFT RH - CONVENTIONAL MOUNT
	180016	JACK SHAFT RH - REVERSE MOUNT
21	751175	SHIFT SHAFT - UNIVERSAL & REVERSE MOUNT
	751198	SHIFT SHAFT - CONVENTIONAL MOUNT
22	130002	OUTPUT GEAR
23	751173	INPUT GEAR - LOW
24	130000	INPUT GEAR - HIGH
25	130001	IDLER GEAR
26	160000	OUTSIDE COVER ASSEMBLY
27	730007	COLLAR - ELEVATING SCREW
28	729108	BEARING
29	50616001	SANDSHOE SHOE 10" X 10" X 4-1/2"
	50616008	SANDSHOE 10" X 10" X 2"
30	LG0070-02	SANDSHOE AXLE HOLLOW 8.-1/2" LONG
31	XB-HHC-050-69	HEX HEAD CAPSCREW 3/8"-16 X 3/4"
32	728003	RUBBER PAD - REMOVABLE CUSHION FOOT
33	730638	STRAP - REMOVABLE CUSHION FOOT
34	730640	REMOVABLE CUSHION FOOT 10" X 10"
36	RK-11321	BEVEL & PINION GEAR KIT
37	RK-11322	GEARBOX REPAIR KIT