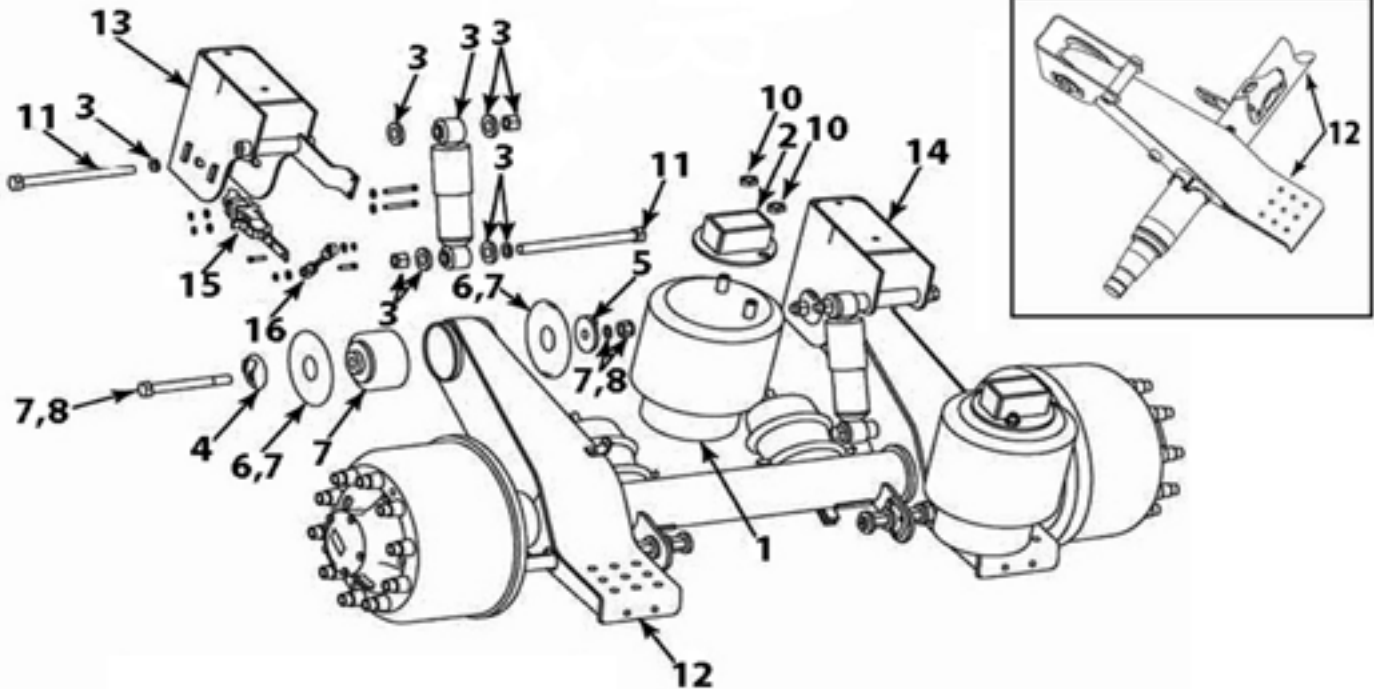


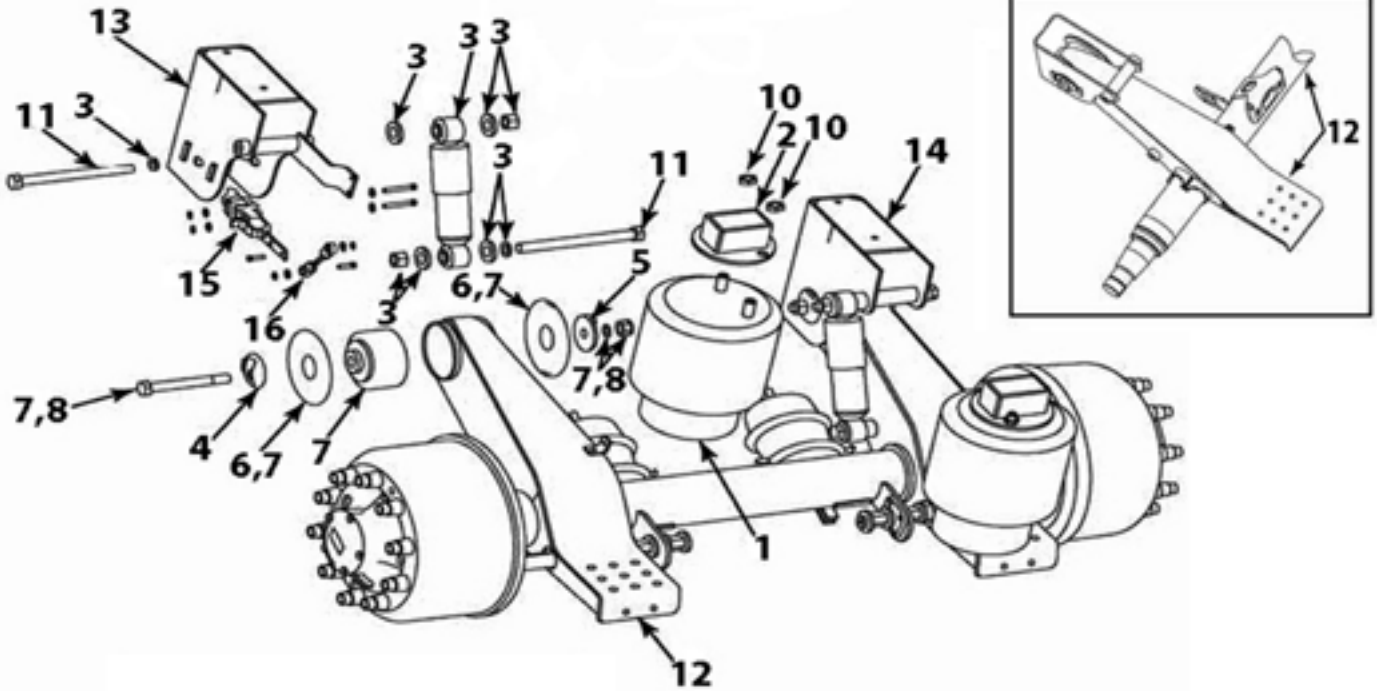
MERITOR RFS23T COMPONENTS



Item	Part Number	Description
1	21227742	AIR SPRING
2	21227629	AIR SPRING PEDESTAL 14" RH
	21227667	AIR SPRING PEDESTAL 15" RH
	21227668	AIR SPRING PEDESTAL 16" RH
	21227630	AIR SPRING PEDESTAL 17" RH
	3305-M-1651	AIR SPRING PEDESTAL 14" RH BOLT-ON
	A-3150-V-2674	AIR SPRING PEDESTAL 15" RH BOLT-ON
	A-3150-W-2675	AIR SPRING PEDESTAL 16" RH BOLT-ON
	A-3150-X-2676	AIR SPRING PEDESTAL 17" RH BOLT-ON
3	KIT11210	SHOCK ABSORBER KIT
4	21226276	ECCENTRIC ALIGNMENT COLLAR
5	21226275	CONCENTRIC ALIGNMENT COLLAR
6	21226663	WEAR WASHER
7	KIT11201	PIVOT BUSHING KIT
8	KIT11202	PIVOT BOLT KIT
10	KIT11203	AIR SPRING BOLT KIT
11	S-21488-M-2	CAPSCREW 7/8"-9 X 11" GR8
12	C53-3273-Q-199SB	AXLE SUB ASSEMBLY TP 77.5" TRACK
	C8-3273-C-107SB	AXLE SUB ASSEMBLY TQ 71.5" TRACK
	C81-3273-J-140SB	AXLE SUB ASSEMBLY TQ 77.5" TRACK
13	A-3152-N-1158	HANGER R/S 14" RH WELD-ON
	A1-3152-N-1158	HANGER R/S 15" RH WELD-ON
	A2-3152-N-1158	HANGER R/S 16" RH WELD-ON
	A3-3152-N-1158	HANGER R/S 17" RH WELD-ON

Item	Part Number	Description
13	A-3152-Y-1169	HANGER R/S 14" RH BOLT-ON 9/16" HOLE
	A1-3152-Y-1169	HANGER R/S 15" RH BOLT-ON 9/16" HOLE
	A2-3152-Y-1169	HANGER R/S 16" RH BOLT-ON 9/16" HOLE
	A3-3152-Y-1169	HANGER R/S 17" RH BOLT-ON 9/16" HOLE
	A-3152-K-1155	HANGER R/S 14" RH BOLT-ON 11/16" HOLE
	A1-3152-K-1155	HANGER R/S 15" RH BOLT-ON 11/16" HOLE
	A2-3152-K-1155	HANGER R/S 16" RH BOLT-ON 11/16" HOLE
	A3-3152-K-1155	HANGER R/S 17" RH BOLT-ON 11/16" HOLE
	14	A-3152-P-1160
A1-3152-P-1160		HANGER C/S 15" RH WELD-ON
A2-3152-P-1160		HANGER C/S 16" RH WELD-ON
A3-3152-P-1160		HANGER C/S 17" RH WELD-ON
A-3152-X-1168		HANGER C/S 14" RH BOLT-ON 9/16" HOLE
A1-3152-X-1168		HANGER C/S 15" RH BOLT-ON 9/16" HOLE
A2-3152-X-1168		HANGER C/S 16" RH BOLT-ON 9/16" HOLE
A3-3152-X-1168		HANGER C/S 17" RH BOLT-ON 9/16" HOLE
A-3152-J-1154		HANGER C/S 14" RH BOLT-ON 11/16" HOLE
A1-3152-J-1154		HANGER C/S 15" RH BOLT-ON 11/16" HOLE
A2-3152-J-1154		HANGER C/S 16" RH BOLT-ON 11/16" HOLE
A3-3152-J-1154		HANGER C/S 17" RH BOLT-ON 11/16" HOLE
15	A-7806-Z-1014	HEIGHT CONTROL VALVE W/AUTO DUMP
	A-7806-Y-1013	HEIGHT CONTROL VALVE NO AUTO DUMP
16	M306538	LINKAGE ASSEMBLY

MERITOR RFS25T COMPONENTS



Item	Part Number	Description
1	21227892	AIR SPRING
	21227629	AIR SPRING PEDESTAL 14" RH
	21227667	AIR SPRING PEDESTAL 15" RH
	21227668	AIR SPRING PEDESTAL 16" RH
	21227630	AIR SPRING PEDESTAL 17" RH
2	3305-M-1651	AIR SPRING PEDESTAL 14" RH BOLT-ON
	A-3150-V-2674	AIR SPRING PEDESTAL 15" RH BOLT-ON
	A-3150-W-2675	AIR SPRING PEDESTAL 16" RH BOLT-ON
	A-3150-X-2676	AIR SPRING PEDESTAL 17" RH BOLT-ON
	3	KIT11210
4	21226276	ECCENTRIC ALIGNMENT COLLAR
5	21226275	CONCENTRIC ALIGNMENT COLLAR
6	21226663	WEAR WASHER
7	KIT11205	PIVOT BUSHING KIT
8	KIT11204	PIVOT BOLT KIT
10	KIT11203	AIR SPRING BOLT KIT
11	S-21488-M-2	CAPSCREW 7/8"-9 X 11" GR8
	C54-3273-Q-199SB	AXLE SUB ASSY TP 77.5" TRACK 5/8" WALL
	C13-3273-C-107SB	AXLE SUB ASSY TQ 71.5" TRACK 5/8" WALL
	C70-3273-J-140SB	AXLE SUB ASSY TQ 77.5" TRACK 5/8" WALL
	C-3273-Q-1213SB	AXLE SUB ASSY TP 71.5" TRACK 3/4" WALL
	C-3274-F-2138SB	AXLE SUB ASSY TP 77.5" TRACK 3/4" WALL
C-3273-R-1162SB	AXLE SUB ASSY TQ 77.5" TRACK 3/4" WALL	
12	A-3152-T-1164	HANGER R/S 14" RH WELD-ON
	A1-3152-T-1164	HANGER R/S 15" RH WELD-ON

Item	Part Number	Description	
13	A2-3152-T-1164	HANGER R/S 16" RH WELD-ON	
	A3-3152-T-1164	HANGER R/S 17" RH WELD-ON	
	A-3152-V-1166	HANGER R/S 14" RH BOLT-ON 9/16" HOLE	
	A1-3152-V-1166	HANGER R/S 15" RH BOLT-ON 9/16" HOLE	
	A2-3152-V-1166	HANGER R/S 16" RH BOLT-ON 9/16" HOLE	
	A3-3152-V-1166	HANGER R/S 17" RH BOLT-ON 9/16" HOLE	
	A-3152-R-1162	HANGER R/S 14" RH BOLT-ON 11/16" HOLE	
	A1-3152-R-1162	HANGER R/S 15" RH BOLT-ON 11/16" HOLE	
	A2-3152-R-1162	HANGER R/S 16" RH BOLT-ON 11/16" HOLE	
	A3-3152-R-1162	HANGER R/S 17" RH BOLT-ON 11/16" HOLE	
	14	A-3152-U-1165	HANGER C/S 14" RH WELD-ON
		A1-3152-U-1165	HANGER C/S 15" RH WELD-ON
		A2-3152-U-1165	HANGER C/S 16" RH WELD-ON
A3-3152-U-1165		HANGER C/S 17" RH WELD-ON	
A-3152-W-1167		HANGER C/S 14" RH BOLT-ON 9/16" HOLE	
A1-3152-W-1167		HANGER C/S 15" RH BOLT-ON 9/16" HOLE	
A2-3152-W-1167		HANGER C/S 16" RH BOLT-ON 9/16" HOLE	
15	A3-3152-W-1167	HANGER C/S 17" RH BOLT-ON 9/16" HOLE	
	A-3152-S-1163	HANGER C/S 14" RH BOLT-ON 11/16" HOLE	
	A1-3152-S-1163	HANGER C/S 15" RH BOLT-ON 11/16" HOLE	
	A2-3152-S-1163	HANGER C/S 16" RH BOLT-ON 11/16" HOLE	
	A3-3152-S-1163	HANGER C/S 17" RH BOLT-ON 11/16" HOLE	
15	A-7806-Z-1014	HEIGHT CONTROL VALVE W/AUTO DUMP	
	A-7806-Y-1013	HEIGHT CONTROL VALVE NO AUTO DUMP	
16	M306538	LINKAGE ASSEMBLY	

RFS23T & RFS25T REPAIR KITS & HEIGHT CONTROL VALVES



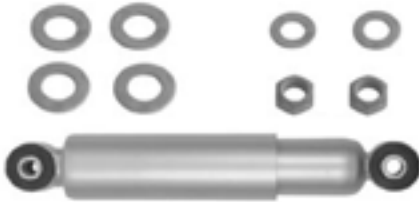
Part Number	Description
KIT11201	PIVOT BUSHING KIT (RFS23T)



Part Number	Description
KIT11205	PIVOT BUSHING KIT (RFS25T)



Part Number	Description
KIT11202	PIVOT BOLT KIT (RFS23T)
KIT11204	PIVOT BOLT KIT (RFS25T)



Part Number	Description
KIT11210	SHOCK ABSORBER KIT



Part Number	Description
KIT11200	SHOCK ABSORBER HARDWARE KIT



Part Number	Description
KIT11203	AIR SPRING HARDWARE KIT



Part Number	Description
A-3256-R-1188	BUSHING INSTALLATION TOOL

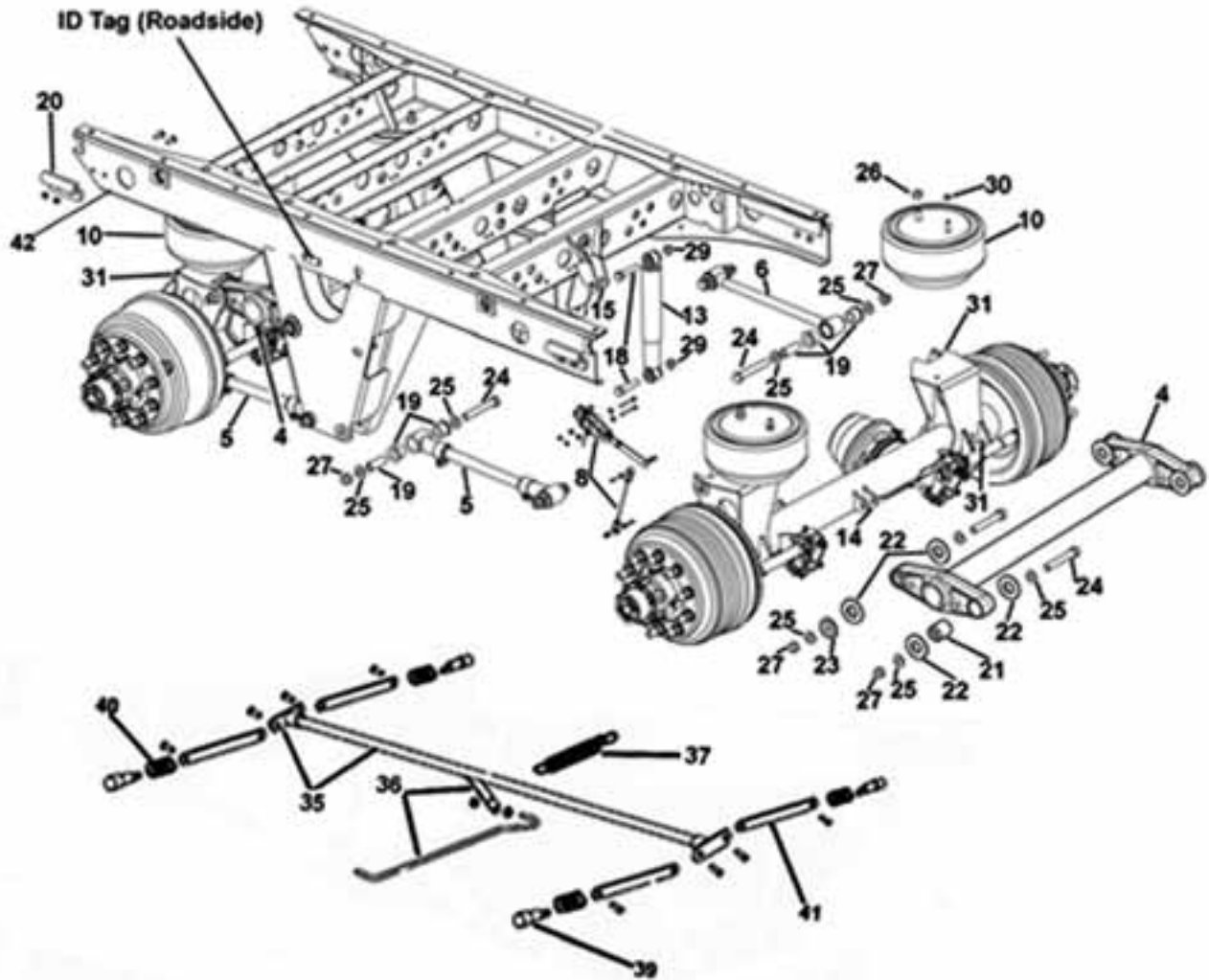


Part Number	Description
KIT11206	HEIGHT CONTROL VALVE W/ AUTO DUMP

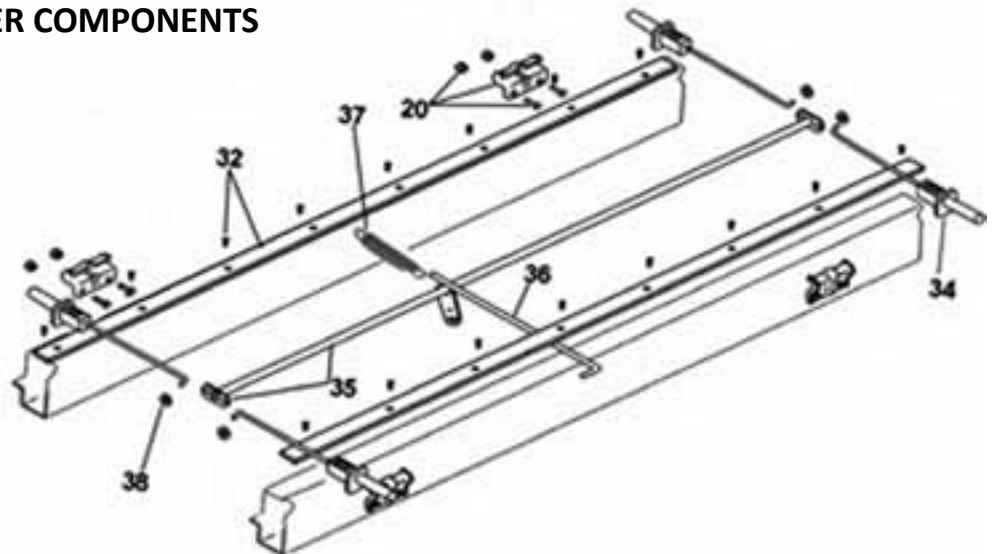


Part Number	Description
KIT11207	HEIGHT CONTROL VALVE NO AUTO DUMP

RHP 11 TANDEM TRAILER AIR SUSPENSION SYSTEM



STANDARD SLIDER COMPONENTS



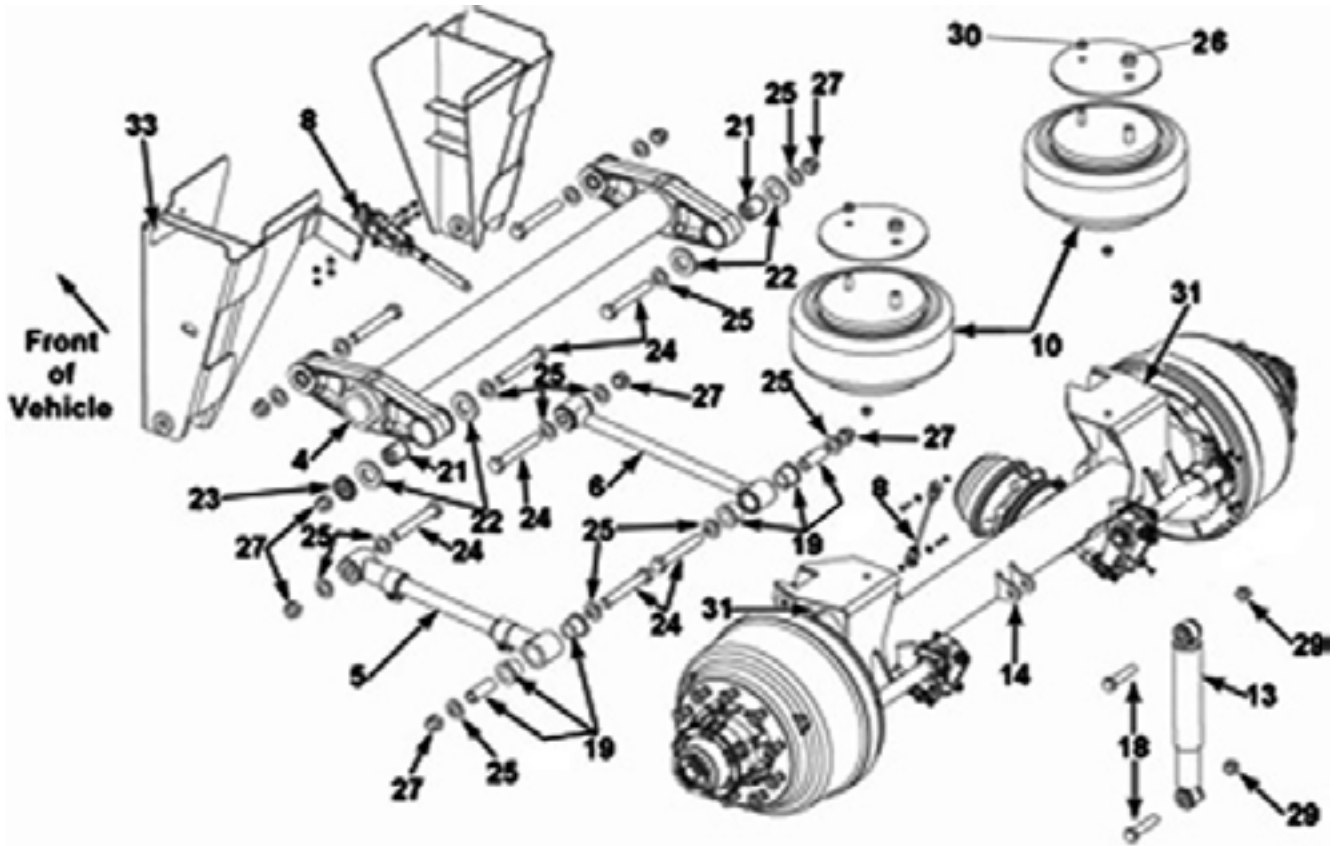
E-Z PULL 2 SLIDER COMPONENTS

RHP 11 TANDEM TRAILER AIR SUSPENSION SYSTEM

Item	Part Number	Description
4	KIT11305	UPPER CONTROL ARM W/BUSHINGS & HARDWARE
5	A1-3133-C-8921	LOWER CONTROL ARM ADJUSTABLE W/BUSHINGS
6	A-3133-G-8249	LOWER CONTROL ARM NON ADJUSTABLE W/BUSHINGS
8	KIT11308	HEIGHT CONTROL VALVE W/AUTOMATIC DUMP
	KIT11309	HEIGHT CONTROL VALVE NO AUTOMATIC DUMP
10	A2258A1457	AIR SPRING DOUBLE CONVOLUTED
	A2258F1410	AIR SPRING 16.5" RIDE HEIGHT
13	85919	SHOCK ABSORBER
14	M312508	SHOCK BRACKET AT AXLE LOCATION
15	M312520	SHOCK BRACKET SLIDER LOCATION 16.5" THRU 17.5" RIDE HEIGHTS
	M312521	SHOCK BRACKET SLIDER LOCATION 18.5" RIDE HEIGHT
18	M301501	CAPSCREW 3/4"-10 X 3 1/2" GR8
	M301502	CAPSCREW 3/4"-10 X 4 1/2" GR8
19	M302502	CONTROL ARM BUSHING W/INNER METAL TUBE
20	KIT11117	HOLD DOWN CLIP
21	A1225-G-1437	UPPER CONTROL ARM BUSHING
22	1229-N-5006	THRUST WASHER
23	M301532	PIVOT BOLT WASHER 3" OD X 7/8" ID 1/2" THICK
24	S-21448M-2	PIVOT BOLT 7/8"-9 X 6"
25	M301530	HARDENED FLAT WASHER 7/8" ID
26	R004961A	LOCK NUT 3/4"-16 GR8
27	1227-R-1604	TORQUE NUT 7/8"-9

Item	Part Number	Description
29	NL-212-1	LOCK NUT 3/4"-10
30	1227-B-1614	LOCK NUT 1/2"-13
31	KIT11331	AXLE SEAT 16.5" RIDE HEIGHT
	KIT11327	AXLE SEAT 17.5" RIDE HEIGHT
	KIT11328	AXLE SEAT 18.5" RIDE HEIGHT
32	KIT11112	SLIDE PAD KIT (1 PAD W/8 SCREWS)
34	M306534	EZ-PULL PIN ASSEMBLY HUTCH 1-5/8" OD
	M306535	EZ-PULL PIN ASSEMBLY HUTCH-B 1-3/8" OD
	M306536	EZ-PULL PIN ASSEMBLY BINKLEY 1-3/8" OD
35	KIT11116	TORQUE TUBE & LINKAGE BARS
36	KIT11119	PULL HANDLE W/U-CLIP
37	M306512	TENSION SPRING
38	WA-37	WASHER
39	KIT11113	LOCKING PIN W/RIVET 1 5/8" OD HUTCH
	KIT11124	LOCK PIN LINKAGE W/RIVETS BINKLEY
40	M306505	COMPRESSION SPRING
42	B-7420-N-1002	SLIDER TO SIDE PLATE WELDMENT HUTCH 16.5" & 17.5" RIDE HEIGHT
	B2-7420-N-1002	SLIDER TO SIDE PLATE WELDMENT HUTCH 18.5" RIDE HEIGHT
	B-7420-A-1015	SLIDER TO SIDE PLATE WELDMENT HUTCH-B 16.5" & 17.5" RIDE HEIGHT
	B1-7420-A-1015	SLIDER TO SIDE PLATE WELDMENT HUTCH-B 18.5" RIDE HEIGHT
	B2-7420-T-1008	SLIDER TO SIDE PLATE WELDMENT BINKLEY 16.5" & 17.5" RIDE HEIGHT
	C4-7420-T-1008	SLIDER TO SIDE PLATE WELDMENT BINKLEY 16.5" & 17.5" RIDE HEIGHT
	B3-7420-T-1008	SLIDER TO SIDE PLATE WELDMENT BINKLEY 18.5" RIDE HEIGHT

RHP 55 COMPONENTS



Item	Part Number	Description
4	KIT11305	UPPER CONTROL ARM W/BUSHINGS & HARDWARE
5	A1-3133-C-8921	LOWER CONTROL ARM ADJUSTABLE W/ BUSHINGS
6	A-3133-G-8249	LOWER CONTROL ARM NON ADJUSTABLE W/BUSHINGS
8	KIT11308	HEIGHT CONTROL VALVE W/AUTOMATIC DUMP
	KIT11309	HEIGHT CONTROL VALVE NO AUTOMATIC DUMP
10	A-2258-F-1410	AIR SPRING
13	85919	SHOCK ABSORBER
14	M312508	SHOCK BRACKET AT AXLE LOCATION
15	3155-W-1349	SHOCK BRKT. SLIDER LOC. 16.5" & 17.5" (NOT SHOWN)
18	M301501	CAPSCREW 3/4"-10 X 3 1/2" GR8
	M301502	CAPSCREW 3/4"-10 X 4 1/2" GR8
19	M302502	CONTROL ARM BUSHING W/INNER METAL TUBE
21	A1225-G-1437	UPPER CONTROL ARM BUSHING

Item	Part Number	Description
22	1229-N-5006	THRUST WASHER
23	M301532	PIVOT BOLT WASHER 3"OD X 7/8" ID X 1/2" THICK
24	S-21448M-2	PIVOT BOLT 7/8"-9 X 6"
25	M301530	HARDENED FLAT WASHER 7/8" ID
26	R004961A	LOCK NUT 3/4"-16 GR8
27	1227-R-1604	TORQUE NUT 7/8"-9
29	NL-212-1	LOCK NUT 3/4"-10
30	1227-B-1614	LOCK NUT 1/2"-13
31	KIT11331	AXLE SEAT 16.5" RIDE HEIGHT
	KIT11327	AXLE SEAT 17.5" RIDE HEIGHT
	KIT11328	AXLE SEAT 18.5" RIDE HEIGHT
33	A-3305-G-1541	FRAME BRACKET R/S
	A-3305-H-1542	FRAME BRACKET C/S

MERITOR RHP11 & RHP55 REPAIR KITS



Part Number	Description
KIT11103	SHOCK BOLT KIT 16.5" THROUGH 18.5" RIDE HEIGHT



Part Number	Description
KIT11104	SHOCK BOLT KIT 14" RIDE HEIGHT



Part Number	Description
KIT11105	AIR SPRING HARDWARE SET



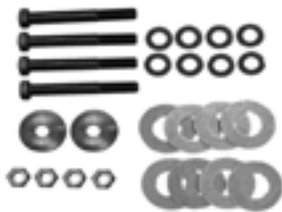
Part Number	Description
KIT11102	LOWER CONTROL ARM BUSHING KIT



Part Number	Description
KIT11106	UPPER CONTROL ARM BOLT KIT @ R/S PLATE ADJUSTABLE



Part Number	Description
KIT11107	UPPER CONTROL ARM BOLT KIT ALL OTHER LOCATIONS



Part Number	Description
KIT11302	UPPER CONTROL ARM HARDWARE KIT



Part Number	Description
KIT11300	UPPER CONTROL ARM BUSHING KIT



Part Number	Description
KIT11320	UPPER CONTROL ARM BUSHING KIT HALF KIT FOR ONE SIDE



Part Number	Description
KIT11303	UPPER CONTROL ARM BUSHING KIT SPECIAL REPAIR - RHP 55

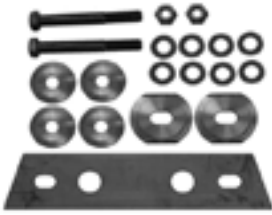


Part Number	Description
KIT11301	UPPER CONTROL ARM BUSHING KIT SPECIAL REPAIR - RHP11



Part Number	Description
KIT11321	UPPER CONTROL ARM BUSHING KIT SPECIAL REPAIR - RHP11 (HALF KIT)

RHP11 & RHP55 REPAIR KITS



Part Number	Description
KIT11322	SIDE PLATE REPAIR KIT- ALIGNMENT POSITION RHP11 FOR DAMAGED FRAME BRACKET



Part Number	Description
KIT11347	AXLE SEAT REPAIR KIT



Part Number	Description
KIT11304	WASHER KIT C/S ONLY RHP11



Part Number	Description
KIT11331	AXLE SEAT KIT RHP 16.5" RIDE HEIGHT



Part Number	Description
KIT11327	AXLE SEAT KIT 17.5" RIDE HEIGHT



Part Number	Description
KIT11348	AXLE SEAT REPAIR TOOL KIT RHP/MPA



Part Number	Description
A-3256-H-1152	BUSHING INSTALLATION TOOL UPPER CONTROL ARM