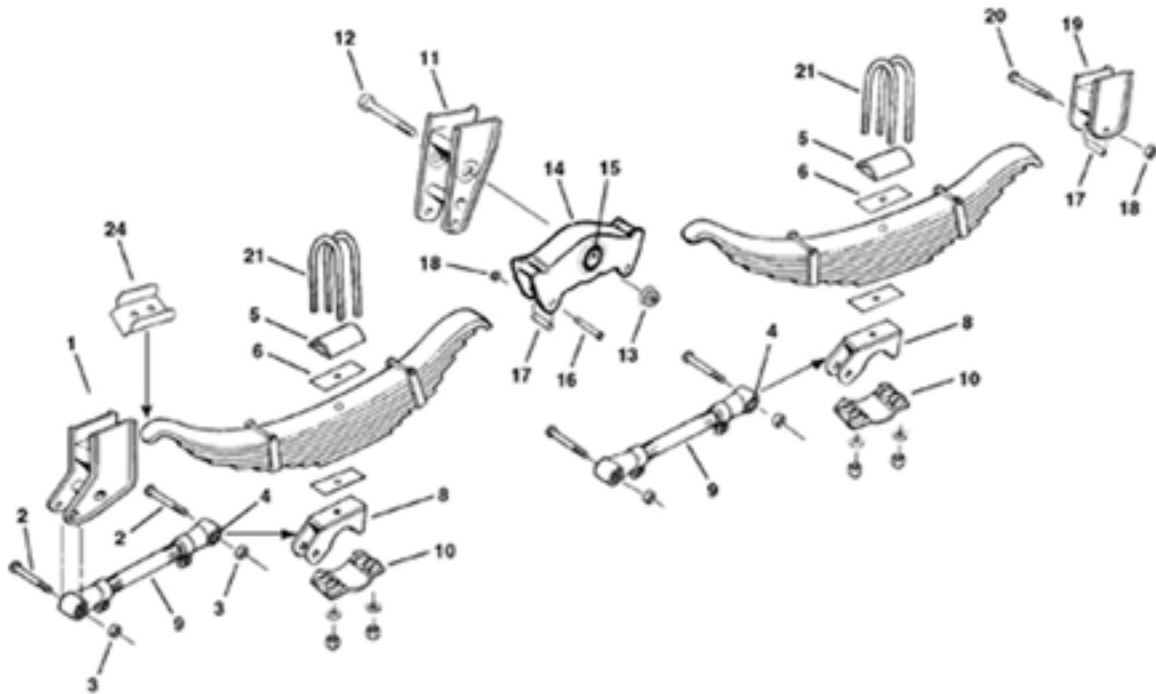


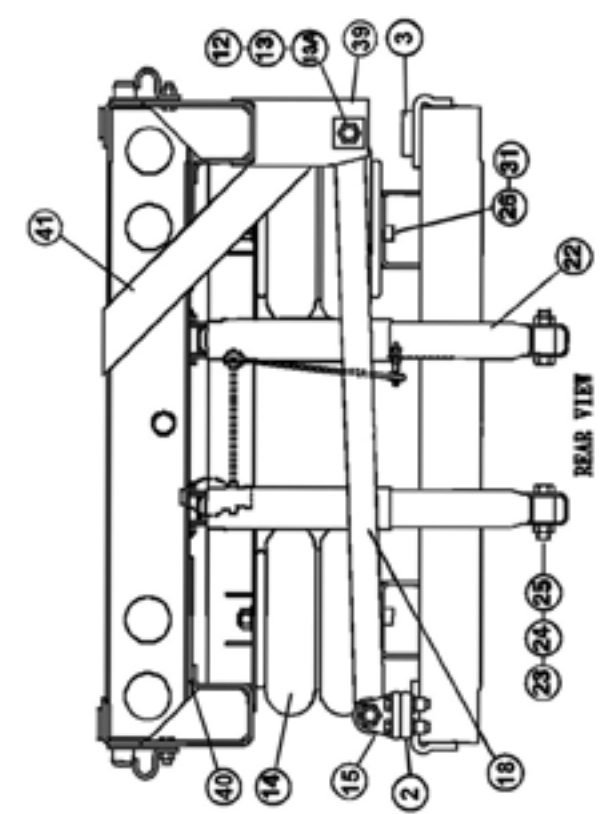
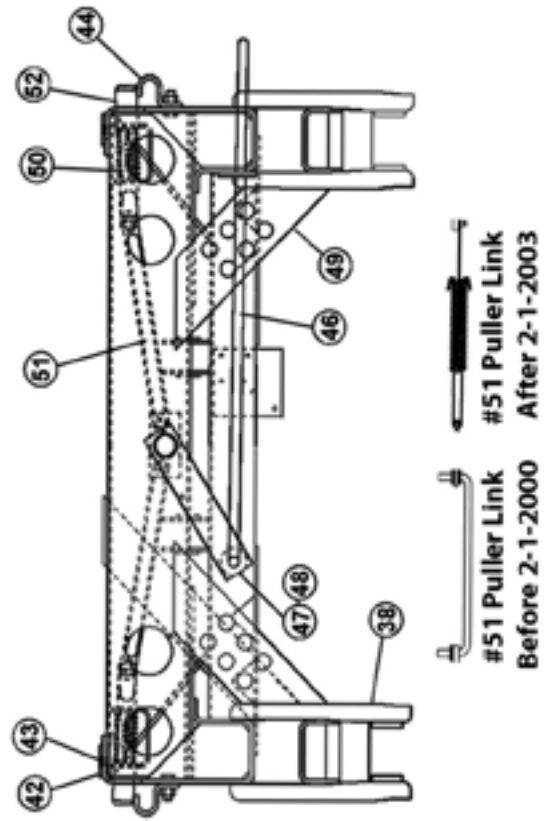
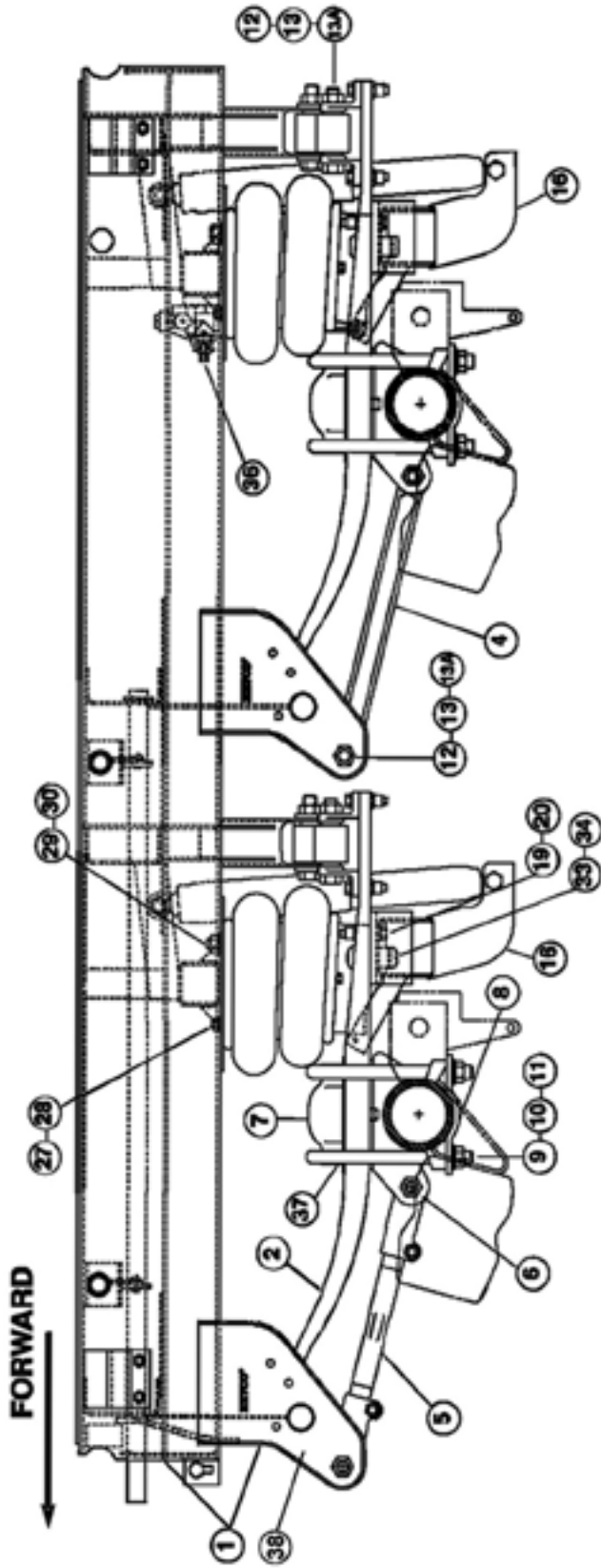
REYCO GRANNING MODEL 86/88 COMPONENTS 49" AXLE CENTERS FOR 5" ROUND AXLES



Item	Part Number	Description
1	0046-20	FRONT HANGER STRADDLE MOUNT
	0084-00	FRONT HANGER UNDER MOUNT
	0400-01	FRONT HANGER FLANGE MOUNT LH
	0400-02	FRONT HANGER FLANGE MOUNT RH
2	0001-08	TORQUE ARM BOLT 7/8"-14 X 5-1/4"
3	14345-01	FLANGE LOCK NUT 7/8"-14
4	09729-01	TORQUE ARM BUSHING
5	23334-01	TOP PLATE
6	16810-02	DELRIN SPRING LINER
7	0075-20	RIGID TORQUE ARM W/ BUSHING 20"
8	0636-01	AXLE SEAT 1"
	0636-015	AXLE SEAT 1-1/2"
	0636-02	AXLE SEAT 2"
	0636-025	AXLE SEAT 2-1/2"
	0636-03	AXLE SEAT 3"
	0636-035	AXLE SEAT 3-1/2"
0636-04	AXLE SEAT 4"	
9	1035-20	ADJUSTABLE TORQUE ARM W/ BUSHING 20"
10	0538-00	BOTTOM PLATE
11	0062-20	CENTER HANGER STRADDLE MOUNT
	0088-00	CENTER HANGER UNDER MOUNT
	0401-00	CENTER HANGER FLANGE MOUNT

Item	Part Number	Description
12	00001-14	EQUALIZER BOLT 1"-14 X 6-1/4"
13	0274-01	FLANGED NUT 1"-14
14	0650-00	FABRICATED EQUALIZER WITH BUSHING
	0850-00	CAST EQUALIZER WITH BUSHING
15	0649-02	EQUALIZER BUSHING
16	0001-04	BOLT 5/8"-18 X 4-1/2"
17	0741-01	SPRING ROLLER 3/4" O.D.
18	0002-07	LOCKNUT 5/8"-18
	0051-20	REAR HANGER STRADDLE MOUNT
	0086-00	REAR HANGER UNDER MOUNT
	0402-01	REAR HANGER FLANGE MOUNT LH
19	0402-02	REAR HANGER FLANGE MOUNT RH
	0001-02	BOLT 5/8"-18 X 5-1/2"
20	7/8X3X12	U-BOLT KIT 3"RD X 12"LG (2 U-BOLTS W/NUTS)
	7/8X3X14	U-BOLT KIT 3"RD X 14"LG (2 U-BOLTS W/NUTS)
	7/8X3X16	U-BOLT KIT 3"RD X 16"LG (2 U-BOLTS W/NUTS)
	7/8X3X18	U-BOLT KIT 3"RD X 18"LG (2 U-BOLTS W/NUTS)
	7/8X5X12	U-BOLT KIT 5"RD X 12"LG (2 U-BOLTS W/NUTS)
	7/8X5X14	U-BOLT KIT 5"RD X 14"LG (2 U-BOLTS W/NUTS)
21	7/8X5X16	U-BOLT KIT 5"RD X 16"LG (2 U-BOLTS W/NUTS)
	7/8X5X18	U-BOLT KIT 5"RD X 18"LG (2 U-BOLTS W/NUTS)
24	0045-00	HANGER WEAR PAD

REYCO/GRANNING 86AR/RS1015 COMPONENTS

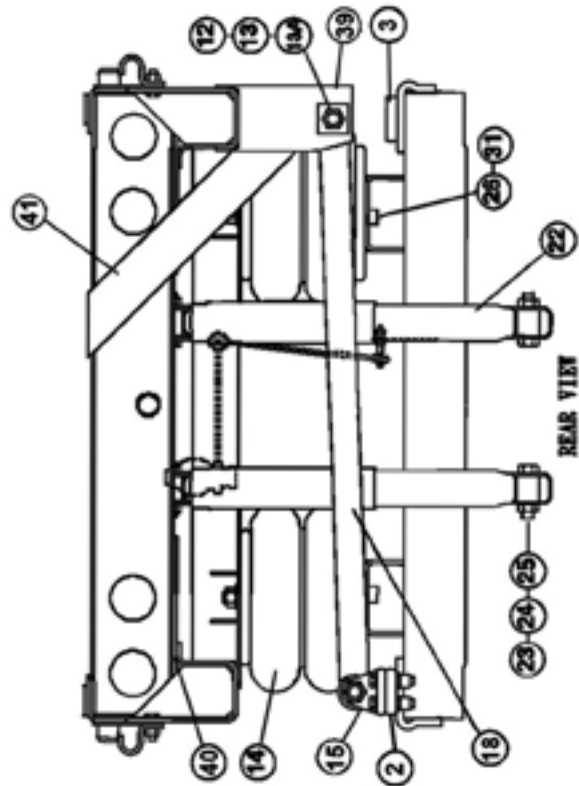
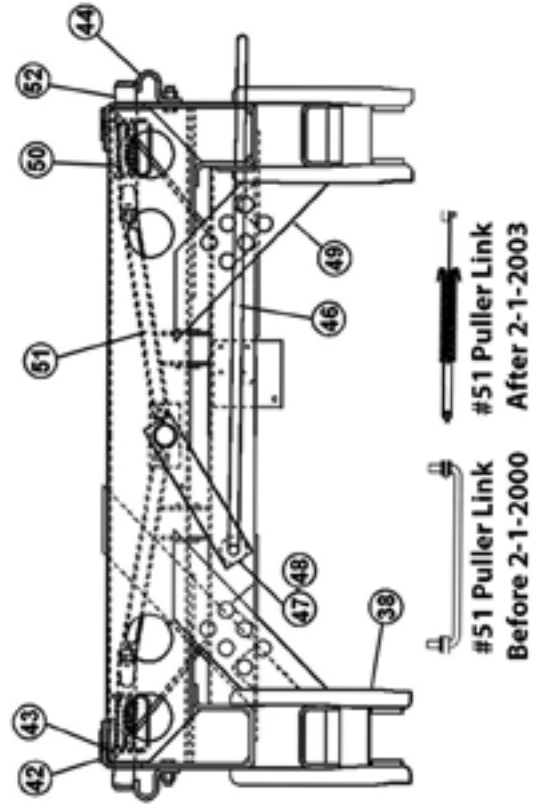
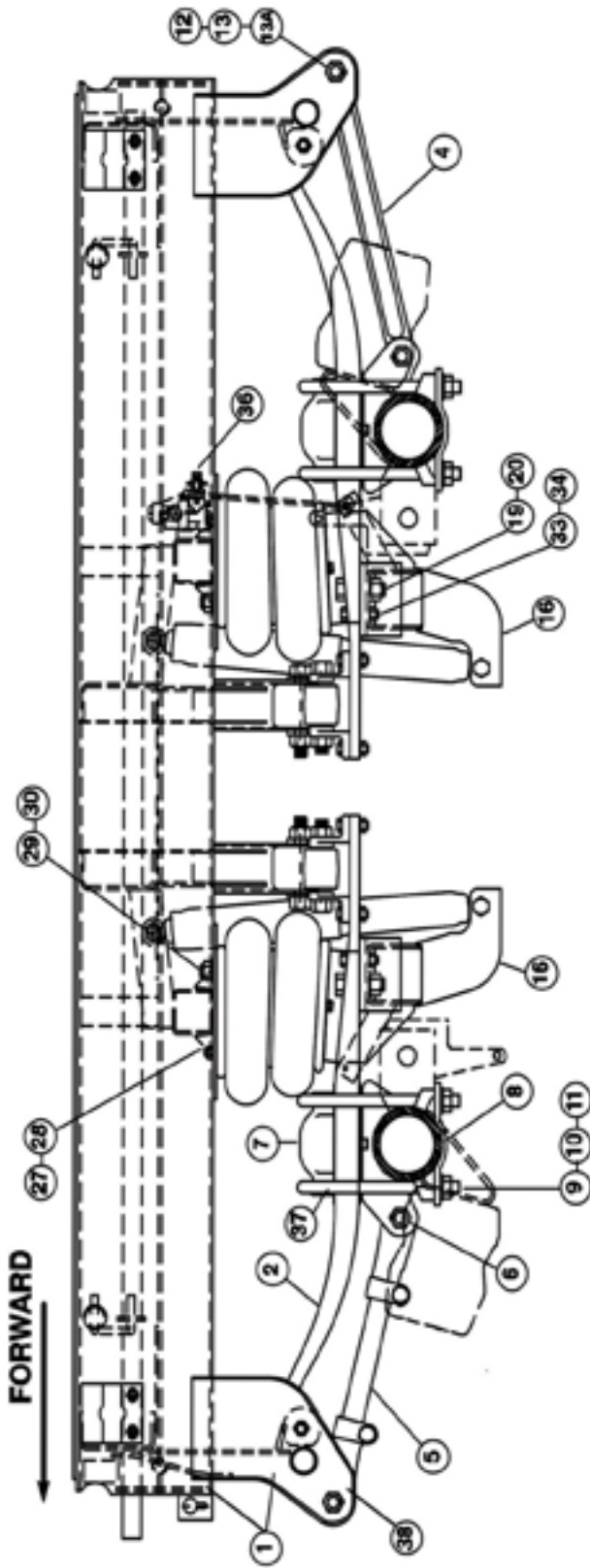


REYCO/GRANNING 86AR/RS1015 COMPONENTS

Item	Part Number	Description
1	20538-48	SLIDER ASSY W/ HANGERS 48" FRAME 1.38" PINS
	20538-42	SLIDER ASSY W/ HANGERS 42" FRAME 1.38" PINS
	19972-48	SLIDER ASSY W/ HANGERS 48" FRAME 1.63" PINS
	19972-42	SLIDER ASSY W/ HANGERS 42" FRAME 1.63" PINS
2	19913-01	SPRING BEAM, LEFT HAND
3	19914-01	SPRING BEAM, RIGHT HAND
4	0075-20	RIGID TORQUE ARM
5	1035-20	ADJUSTABLE TORQUE ARM
6	0636-01	AXLE SEAT 1" HIGH 5" ROUND AXLE
	0636-015	AXLE SEAT 1.5" HIGH 5" ROUND AXLE
	0636-02	AXLE SEAT 2" HIGH 5" ROUND AXLE
	0636-025	AXLE SEAT 2.5" HIGH 5" ROUND AXLE
	0636-03	AXLE SEAT 3" HIGH 5" ROUND AXLE
	0636-035	AXLE SEAT 3.5" HIGH 5" ROUND AXLE
	0636-04	AXLE SEAT 4" HIGH 5" ROUND AXLE
7	1098-00	TOP PLATE
8	0538-00	BOTTOM PLATE 5" ROUND AXLE
9	19780-110	U-BOLT 3" RD X 3/4" X 11"
	19780-115	U-BOLT 3" RD X 3/4" X 11.5"
	19780-120	U-BOLT 3" RD X 3/4" X 12"
	19780-125	U-BOLT 3" RD X 3/4" X 12.5"
	19780-130	U-BOLT 3" RD X 3/4" X 13"
	19780-135	U-BOLT 3" RD X 3/4" X 13.5"
	19780-140	U-BOLT 3" RD X 3/4" X 14"
10	14344-01	LOCKNUT 3/4"-16 UNF
11	20852-01	3/4" FLAT WASHER
12	0001-08	HEX BOLT 7/8"-14 X 5.25" GR8
13	14345-01	HEX LOCKNUT 7/8"-14 UNF
13A	T-7292	FLAT WASHER 7/8"
14	20018-01	AIR SPRING
15	21491-01	TRACK ROD BRACKET
16	19789-02	AIR SPRING SUPPORT 48" FRAME WIDTH
	19788-02	AIR SPRING SUPPORT 42" FRAME WIDTH
18	10910-01	TRACK ROD 48" FRAME WIDTH 44" LONG
	20012-01	TRACK ROD 42" FRAME WIDTH 38" LONG
19	17353-01	HEX BOLT 1/2"-20 UNF X 2.5"
20	17357-01	HEX LOCKNUT 1/2"-20 UNF
21	0003-07	1/2" FLAT WASHER
22	18165-01	SHOCK ABSORBER

Item	Part Number	Description
23	08210-01	HEX BOLT 3/4-16 UNF X 3"
24	14344-01	HEX NUT 3/4"-16 UNF
25	20852-01	3/4" FLAT WASHER
26	20029-01	HEX NUT 3/8"-16 UNC
27	12920-01	1/2" NUT
28	T-1705	1/2" LOCK WASHER
29	08211-01	3/4" NUT
30	T-3164	3/4" LOCK WASHER
31	T-1859	3/8" LOCK WASHER
33	18842-01	HEX BOLT 7/8"-14 UNF X 3" GR8
34	14345-01	HEX LOCKNUT 7/8"-14 UNF
35	T-7292	FLAT WASHER 7/8"
36	23329-01	HEIGHT CONTROL VALVE & LINKAGE 1/4" FITTINGS
	23329-02	HEIGHT CONTROL VALVE & LINKAGE 3/8" FITTINGS
	22008-00	HEIGHT CONTROL DUMP VALVE & LINKAGE
37	16810-00	SPRING LINER
38	22662-01	FRONT HANGER ST/MT
39	19772-01	TRACK ROD HANGER
40	17854-01	TRACK ROD HANGER GUSSET SMALL
41	17855-01	TRACK ROD HANGER GUSSET LARGE
42	19620-01	BEARING STRIP
43	19619-01	SCREW FOR BEARING STRIP
44	19766-01	BODY RAIL GUIDE 5.5" LONG
46	21225-148	PULL HANDLE 48" WIDE FRAME
	21225-142	PULL HANDLE 42" WIDE FRAME
47	16457-01	5/8" FLAT WASHER
48	16455-01	COTTER PIN 1.25"
49	19720-02	HANGER GUSSET
50	19638-01	COMPRESSION SPRING
51	24114-42	LINKAGE 42" WIDE FRAME (BEFORE 2/1/2000)
	24114-48	LINKAGE 48" WIDE FRAME (BEFORE 2/1/2000)
	22237-01	LINKAGE 42" WIDE FRAME (2/1/2000 - 2-1-2003)
	22239-01	LINKAGE 48" WIDE FRAME (2/1/2000 - 2-1-2003)
	703940-01	FLEXIPULL LINKAGE (AFTER 2/1/2003) CURRENT
52	19753-01	LOCK PIN 1.38" DIA. (BEFORE 2/1/2000)
	19630-01	LOCK PIN 1.56" DIA. (BEFORE 2/1/2000)
	20740-02	LOCK PIN 1.38" DIA. (AFTER 2/1/2000) CURRENT
	20740-01	LOCK PIN 1.63" DIA. (AFTER 2/1/2000) CURRENT

REYCO/GRANNING 86AR/RS1035 COMPONENTS

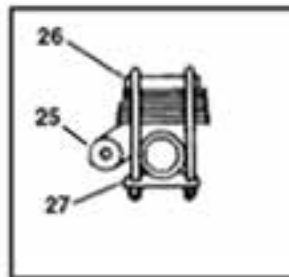
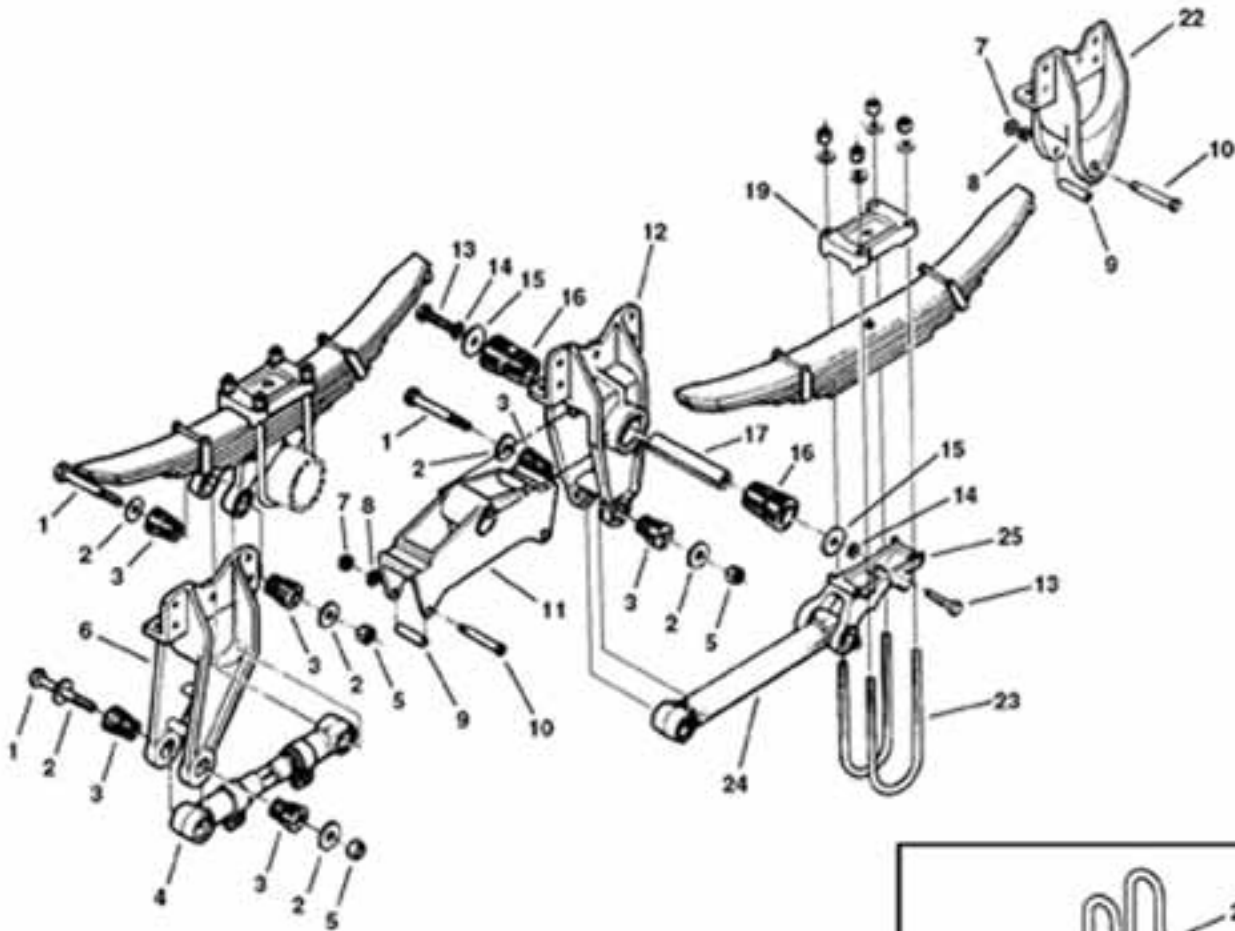


REYCO/GRANNING 86AR/RS1035 COMPONENTS

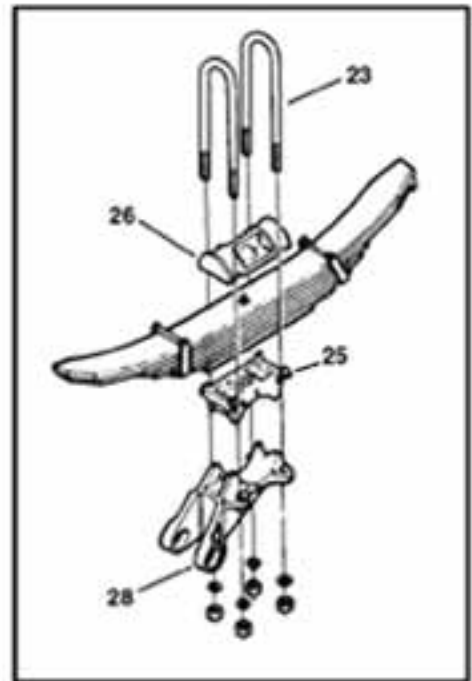
Item	Part Number	Description
1	21928-48	SLIDER ASSY W/ HANGERS 48" FRAME 1.38" PINS
	21928-42	SLIDER ASSY W/ HANGERS 42" FRAME 1.38" PINS
	21643-48	SLIDER ASSY W/ HANGERS 48" FRAME 1.63" PINS
	21643-42	SLIDER ASSY W/ HANGERS 42" FRAME 1.63" PINS
2	19913-01	SPRING BEAM, LEFT HAND
3	19914-01	SPRING BEAM, RIGHT HAND
4	0075-20	RIGID TORQUE ARM
5	1035-20	ADJUSTABLE TORQUE ARM
6	0636-01	AXLE SEAT 1" HIGH 5" ROUND AXLE
	0636-015	AXLE SEAT 1.5" HIGH 5" ROUND AXLE
	0636-02	AXLE SEAT 2" HIGH 5" ROUND AXLE
	0636-025	AXLE SEAT 2.5" HIGH 5" ROUND AXLE
	0636-03	AXLE SEAT 3" HIGH 5" ROUND AXLE
	0636-035	AXLE SEAT 3.5" HIGH 5" ROUND AXLE
	0636-04	AXLE SEAT 4" HIGH 5" ROUND AXLE
7	1098-00	TOP PLATE
8	0538-00	BOTTOM PLATE 5" ROUND AXLE
9	19780-110	U-BOLT 3" RD X 3/4" X 11"
	19780-115	U-BOLT 3" RD X 3/4" X 11.5"
	19780-120	U-BOLT 3" RD X 3/4" X 12"
	19780-125	U-BOLT 3" RD X 3/4" X 12.5"
	19780-130	U-BOLT 3" RD X 3/4" X 13"
	19780-135	U-BOLT 3" RD X 3/4" X 13.5"
	19780-140	U-BOLT 3" RD X 3/4" X 14"
10	14344-01	LOCKNUT 3/4"-16 UNF
11	20852-01	3/4" FLAT WASHER
12	0001-08	HEX BOLT 7/8"-14 X 5.25" GR8
13	14345-01	HEX LOCKNUT 7/8"-14 UNF
13A	T-7292	FLAT WASHER 7/8"
14	20018-01	AIR SPRING
15	21491-01	TRACK ROD BRACKET
16	19789-02	AIR SPRING SUPPORT 48" FRAME WIDTH
	19788-02	AIR SPRING SUPPORT 42" FRAME WIDTH
18	10910-01	TRACK ROD 48" FRAME WIDTH 44" LONG
	20012-01	TRACK ROD 42" FRAME WIDTH 38" LONG
19	17353-01	HEX BOLT 1/2"-20 UNF X 2.5"
20	17357-01	HEX LOCKNUT 1/2"-20 UNF
21	0003-07	1/2" FLAT WASHER

Item	Part Number	Description
22	18165-01	SHOCK ABSORBER
23	08210-01	HEX BOLT 3/4-16 UNF X 3"
24	14344-01	HEX NUT 3/4"-16 UNF
25	20852-01	3/4" FLAT WASHER
26	20029-01	HEX NUT 3/8"-16 UNC
27	12920-01	1/2" NUT
28	T-1705	1/2" LOCK WASHER
29	08211-01	3/4" NUT
30	T-3164	3/4" LOCK WASHER
31	T-1859	3/8" LOCK WASHER
33	18842-01	HEX BOLT 7/8"-14 UNF X 3" GR8
34	14345-01	HEX LOCKNUT 7/8"-14 UNF
35	T-7292	FLAT WASHER 7/8"
36	23329-01	HEIGHT CONTROL VALVE & LINKAGE 1/4" FITTINGS
	23329-02	HEIGHT CONTROL VALVE & LINKAGE 3/8" FITTINGS
37	16810-00	SPRING LINER
38	22662-01	FRONT HANGER ST/MT
39	19772-01	TRACK ROD HANGER
40	17854-01	TRACK ROD HANGER GUSSET SMALL
41	17855-01	TRACK ROD HANGER GUSSET LARGE
42	19620-01	BEARING STRIP
43	19619-01	SCREW FOR BEARING STRIP
44	19766-01	BODY RAIL GUIDE 5.5" LONG
46	21225-148	PULL HANDLE 48" WIDE SLIDER
	21225-142	PULL HANDLE 42" WIDE SLIDER
47	16457-01	5/8" FLAT WASHER
48	16455-01	COTTER PIN 1.25"
49	19720-02	HANGER GUSSET
50	19638-01	COMPRESSION SPRING
51	24114-42	LINKAGE 42" WIDE FRAME (BEFORE 2/1/2000)
	24114-48	LINKAGE 48" WIDE FRAME (BEFORE 2/1/2000)
	22237-01	LINKAGE 42" WIDE FRAME (2/1/2000 - 2-1-2003)
	22239-01	LINKAGE 48" WIDE FRAME (2/1/2000 - 2-1-2003)
	703940-01	FLEXIPULL LINKAGE (AFTER 2/1/2003) CURRENT
52	19753-01	LOCK PIN 1.38" DIA. (BEFORE 2/1/2000)
	19630-01	LOCK PIN 1.56" DIA. (BEFORE 2/1/2000)
	20740-02	LOCK PIN 1.38" DIA. (AFTER 2/1/2000) CURRENT
	20740-01	LOCK PIN 1.63" DIA. (AFTER 2/1/2000) CURRENT

REYCO/GRANNING MODEL 21B COMPONENTS
49" AXLE CENTERS FOR 5" ROUND AXLES, OVERSLUNG



Inverted U-Bolts



Inverted U-Bolts
No Hop

REYCO/GRANNING MODEL 21B COMPONENTS 49" AXLE CENTERS FOR 5" ROUND AXLES, OVERSLUNG

Item	Part Number	Description
1	T5492	TORQUE ARM BOLT 1"-14 X 7"
2	T2224	WASHER 1" X 2-3/4"
3	T5493	TORQUE ARM BUSHING
4	15172-01	ADJUSTABLE TORQUE ARM FRONT 16.1/4" R/S
	15173-01	ADJUSTABLE TORQUE ARM REAR 18-7/8" R/S
5	T5495	LOCK NUT 1"-14
6	T5425	FRONT HANGER FLANGE MOUNT LH
	T5424	FRONT HANGER FLANGE MOUNT RH
	T5563	FRONT HANGER UNDER MOUNT LH
	T5562	FRONT HANGER UNDER MOUNT RH
7	T1704	HEX NUT 1/2"
8	T2248	LOCK WASHER 1/2"
9	T2106	SPRING ROLLER
10	T5544	CAPSCREW 1/2" X 4-3/4"
11	21725-01	EQUALIZER WITHOUT BUSHING
12	T5426	CENTER HANGER FLANGE MOUNT
	T5564	CENTER HANGER UNDER MOUNT
13	14248-01	EQUALIZER SHAFT BOLT 1" X 2-1/2"
14	14250-01	LOCK WASHER 1"
15	14249-01	WASHER 1-1/16"
16	T5524	EQUALIZER BUSHING
17	14247-01	EQUALIZER SHAFT
19	T7175	TOP PLATE CONVENTIONAL
22	T5429	REAR HANGER FLANGE MOUNT LH
	T5428	REAR HANGER FLANGE MOUNT RH
	T5565	REAR HANGER UNDER MOUNT LH
	T5566	REAR HANGER UNDER MOUNT RH
23	7/8X3X12	U-BOLT KIT 3"RD X 12"LG (2 U-BOLTS W/NUTS & WASHERS)
	7/8X3X14	U-BOLT KIT 3"RD X 14"LG (2 U-BOLTS W/NUTS & WASHERS)
	7/8X3X16	U-BOLT KIT 3"RD X 16"LG (2 U-BOLTS W/NUTS & WASHERS)
	7/8X3X18	U-BOLT KIT 3"RD X 18"LG (2 U-BOLTS W/NUTS & WASHERS)
	7/8X5X12	U-BOLT KIT 5"RD X 12"LG (2 U-BOLTS W/NUTS & WASHERS)
	7/8X5X14	U-BOLT KIT 5"RD X 14"LG (2 U-BOLTS W/NUTS & WASHERS)
	7/8X5X16	U-BOLT KIT 5"RD X 16"LG (2 U-BOLTS W/NUTS & WASHERS)
24	15168-01	RIGID TORQUE ARM FRONT 16-1/4" C/S
	15179-01	RIGID TORQUE ARM REAR 18-7/8" C/S
25	09730-01	AXLE SEAT 3/4"
	08757-01	AXLE SEAT 3-1/4"
	10114-01	AXLE SEAT 3/4" (W/ NO HOP & UNDERSLUNG)
26	23334-01	TOP PLATE (INVERTED U-BOLTS & NO HOP)
27	0538-00	BOTTOM PLATE
28	08480-01	AXLE STABILIZER (NO HOP)